

THE HEART OF A KUMA

COMFORT

Grandma used to say that wood heat was a different kind of heat. She was right. With forced air furnaces, only the air is conditioned, so the air temperature in the home changes rapidly when the furnace shuts off. A Kuma wood stove produces a combination of radiant and convection heat that warms your entire environment. The walls, floors and air warm up to provide a cozy home.

SAVING ENERGY AND SAVING DOLLARS

Kuma's hybrid burn system takes wood burning efficiency to new heights. With 79% HHV* efficiency, investing in a Kuma wood stove will save you hundreds of dollars a year in fuel costs. Over the life of a stove, those savings really add up. Plus, less fuel means less splitting, less stacking and less hauling of firewood!

BEAUTY FOLLOWS PERFORMANCE

A Kuma stove works hard and looks good doing it! You can style your stove just how you like it with a variety of door finishes and accessories but the heart and soul of a Kuma is to deliver the performance that you need:

- High Efficiency
- Long Burn Time
- Beautiful Self-Cleaning Glass

QUALITY AMERICAN CRAFTSMANSHIP

Still made right here in Idaho, USA. We take incredible pride in products that are made by one craftsman, start to finish. No assembly lines. Not assembled with parts made offshore. Each wood stove has the finish details you would expect on a hand-made product. All wood stoves have precision laser cut steel and come with our limited lifetime warranty. Kuma Stoves is still family owned and operated. So when you purchase a Kuma, we can honestly say it is from our family to yours.

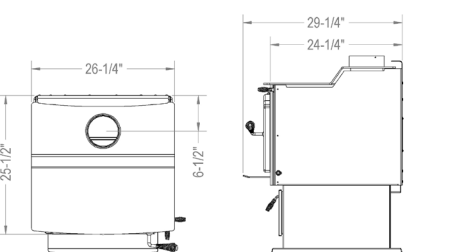
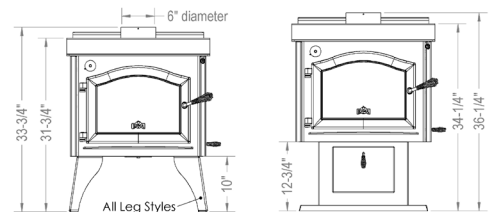
CLEAN AND EFFICIENT ^EHYBRID_E TECHNOLOGY

There are 2 "E's" to consider when researching wood stoves. The first is high ^Efficiency: The efficiency* of a stove tells you what percent of your wood is being converted into usable heat for your home. With Kuma's ^EHYBRID_E Technology, HHV efficiency is taken to the highest levels ever seen in modern wood stoves. The second is low ^Emissions: Lower emissions mean less smoke and unwanted pollution in your neighborhood. In addition to ultra-low smoke output, Kuma's ^EHYBRID_E Technology produces 5x less carbon monoxide emissions than most modern wood stoves.

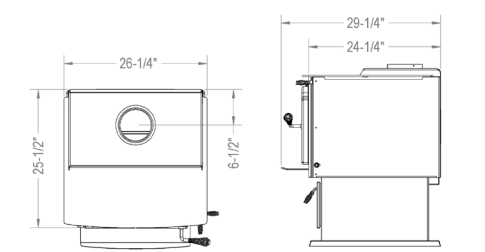
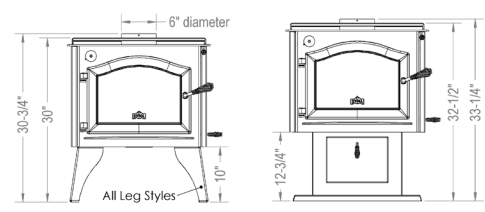
*HHV EFFICIENCY - Always ask to see the High Heat Value (HHV) efficiency of any appliance that you are researching. This value is published by the US Environmental Protection Agency and is a true representation of how your stove will perform in your home.



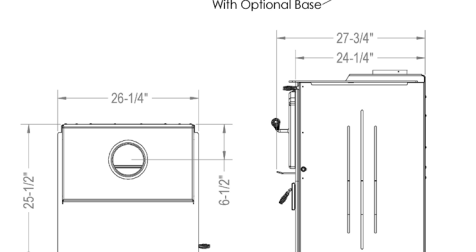
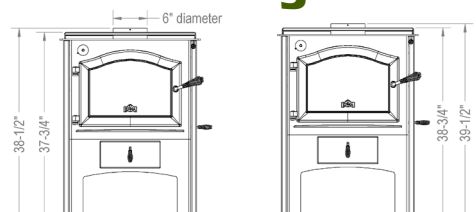
Wood Classic LE



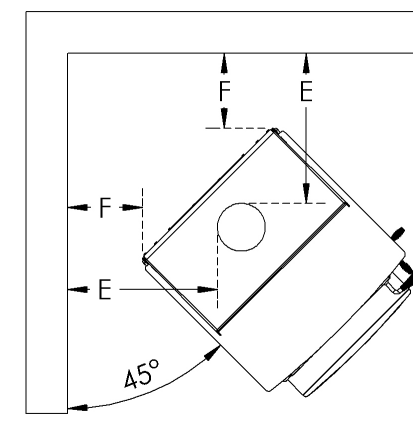
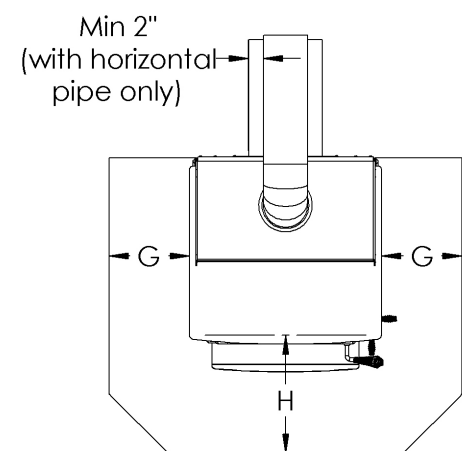
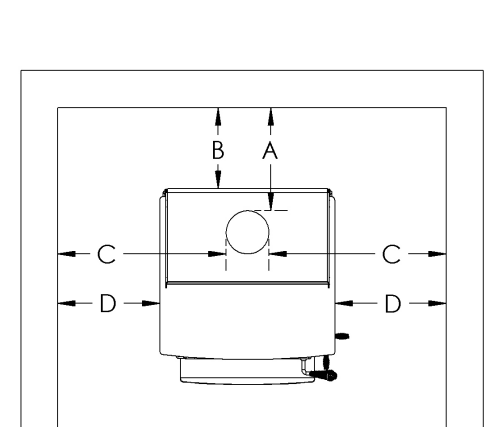
Ashwood LE



Cambridge LE



	CLEARANCES FOR ALL K-250 MODELS	Single Wall Connector	Double Wall Connector
A	Back wall to pipe edge	15"	10"
B	Back wall to stove	11.5"	7"
C	Side wall to pipe edge	24.5"	23.5"
D	Side wall to stove	14.5"	14"
E	Side walls to pipe edge	15"	14.5"
F	Side wall to stove	5"	5"
G	Hearth to stove side	6"	6"
H	Hearth to stove face	16"	16"



Type 1 Hearth (No R-Value Required)

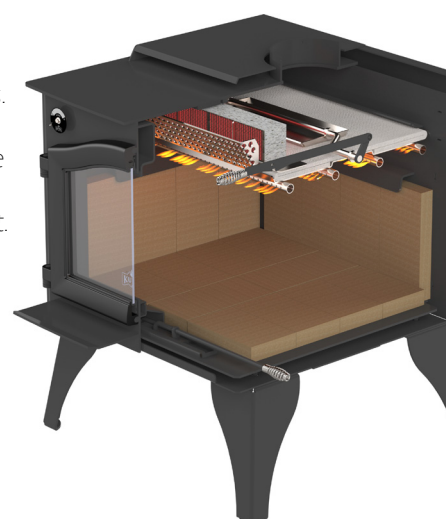
What does hybrid mean?

Our stoves combine 2 distinct burn systems into the firebox each with their own unique advantages. The first is the thermal combustion system (burn tubes). Burn tubes work great at temperatures above 1000° delivering secondary combustion air to incinerate most of the smoke. The second is the catalytic combustor system which lowers the temperature at which wood smoke will burn down to 500° so on medium and low burn rates, hybrid stoves will continue to burn super clean and efficient. Our entire line of low emission hybrid stoves and inserts comply with EPA 2020 requirements.

Authorized Dealer:



rev. 200820



Featuring a high-flow durable all metal combustor that removes in seconds for easy maintenance

K-250 SERIES

Wood Burning Stoves

With ^EHYBRID_E Technology



Wood Classic LE

Shown with an ash pan pedestal and a pewter door.

Based on our original and well loved Wood Classic model, the Wood Classic LE continues on the tradition as a hard working home heater. Looks that salute the classic American hearth are combined with an ultra effective re-burn system.

The ash tree is among the very best of woods for home heating. Our Kuma Ashwood LE lives up to its name in providing you with the very best in quality, features and performance. Designed for those who rely on it as their principal heat source, the Ashwood LE is well equipped to be an enduring addition to your home.

Ashwood LE

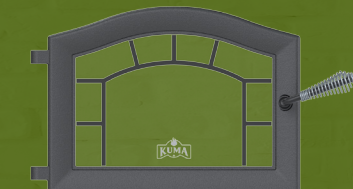
Shown with steel legs and a black door.

The Kuma Cambridge LE is a stove that is up to the job. This robust heater stands ready to provide an abundance of warmth in response to the coldest of winter's days. Stylish and sensible, the efficient and clean burning Cambridge LE is built to last a lifetime.

Cambridge LE

Shown with a lower platform and a brushed stainless door trim.

Optional Door Styles



Window Sunburst



Pewter



New!

Brushed Stainless Trim



True Efficiency (HHV)	79%	86% LHV
Maximum Heat Output	82,000 BTU's/Hr	
Burn Time	12 hours	
Wood Length	19"	
Heating Capacity	2400 - 3000 sq. ft.	
Firebox Size	2.5 cu. ft.	
Emissions	1.13 grams/hr.	
CO Emissions	0.18 grams/min.	
Flue Size	6"	
Weight	450 lbs.	

- 🔥 Classic step top design
- 🔥 EPA 2020 cord wood certified
- 🔥 UL Safety tested
- 🔥 Pedestal and ash pan options
- 🔥 Variety of leg styles
- 🔥 Manufactured home approved
- 🔥 Outside air ready
- 🔥 Variable speed blower option
- 🔥 Variety of door styles

True Efficiency (HHV)	79%	86% LHV
Maximum Heat Output	82,000 BTU's/Hr	
Burn Time	12 hours	
Wood Length	19"	
Heating Capacity	2400 - 3000 sq. ft.	
Firebox Size	2.5 cu. ft.	
Emissions	1.13 grams/hr.	
CO Emissions	0.18 grams/min.	
Flue Size	6"	
Weight	440 lbs.	

- 🔥 EPA 2020 cord wood certified
- 🔥 UL Safety tested
- 🔥 Pedestal and ash pan options
- 🔥 Variety of leg styles
- 🔥 Manufactured home approved
- 🔥 Outside air ready
- 🔥 Variable speed blower option
- 🔥 Variety of door styles

Burn Time and Heating Capacity will vary depending on wood type, chimney length, home layout, desired temperature and your home's insulation value.

True Efficiency (HHV)	79%	86% LHV
Maximum Heat Output	82,000 BTU's/Hr	
Burn Time	12 hours	
Wood Length	19"	
Heating Capacity	2400 - 3000 sq. ft.	
Firebox Size	2.5 cu. ft.	
Emissions	1.13 grams/hr.	
CO Emissions	0.18 grams/min.	
Flue Size	6"	
Weight	470 lbs.	

- 🔥 Wood storage area
- 🔥 Innovative no-smoke paint
- 🔥 Modern European design
- 🔥 UL Safety tested
- 🔥 EPA 2020 cord wood certified
- 🔥 "Live grate" ash pan system included
- 🔥 Manufactured home approved
- 🔥 Outside air ready
- 🔥 Variable speed blower option
- 🔥 Variety of door styles