

## THE HEART OF A KUMA

### COMFORT

Grandma used to say that wood heat was a different kind of heat. She was right. With forced air furnaces, only the air is conditioned, so the air temperature in the home changes rapidly when the furnace shuts off. A Kuma wood stove produces a combination of radiant and convection heat that warms your entire environment. The walls, floors and air warm up to provide a cozy home.

### SAVING ENERGY AND SAVING DOLLARS

Kuma's hybrid burn system takes wood burning efficiency to new heights. With 81% HHV\* efficiency, investing in a Kuma wood stove will save you hundreds of dollars a year in fuel costs. Over the life of a stove, those savings really add up. Plus, less fuel means less splitting, less stacking and less hauling of firewood!

### BEAUTY FOLLOWS PERFORMANCE

A Kuma stove works hard and looks good doing it! You can style your stove just how you like it with a variety of door finishes and accessories but the heart and soul of a Kuma is to deliver the performance that you need:

- High Efficiency
- Long Burn Time
- Beautiful Self-Cleaning Glass

### QUALITY AMERICAN CRAFTSMANSHIP

Still made right here in Idaho, USA. We take incredible pride in products that are made by one craftsman, start to finish. No assembly lines. Not assembled with parts made offshore. Each wood stove has the finish details you would expect on a hand-made product. All wood stoves have precision laser cut steel and come with our limited lifetime warranty. Kuma Stoves is still family owned and operated. So when you purchase a Kuma, we can honestly say it is from our family to yours.

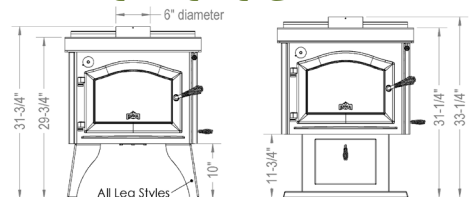
### CLEAN AND EFFICIENT <sup>E</sup>HYBRID<sub>E</sub> TECHNOLOGY

There are 2 "E's" to consider when researching wood stoves. The first is high <sup>E</sup>fficiency: The efficiency\* of a stove tells you what percent of your wood is being converted into usable heat for your home. With Kuma's <sup>E</sup>HYBRID<sub>E</sub> Technology, HHV efficiency is taken to the highest levels ever seen in modern wood stoves. The second is low <sup>E</sup>missions: Lower emissions mean less smoke and unwanted pollution in your neighborhood. In addition to ultra-low smoke output, Kuma's <sup>E</sup>HYBRID<sub>E</sub> Technology produces 5x less carbon monoxide emissions than most modern wood stoves.

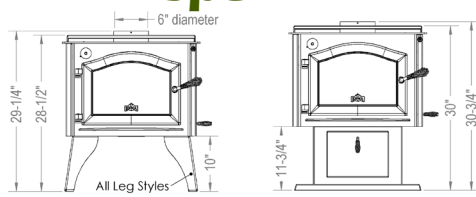
\*HHV EFFICIENCY - Always ask to see the High Heat Value (HHV) efficiency of any appliance that you are researching. This value is published by the US Environmental Protection Agency and is a true representation of how your stove will perform in your home.



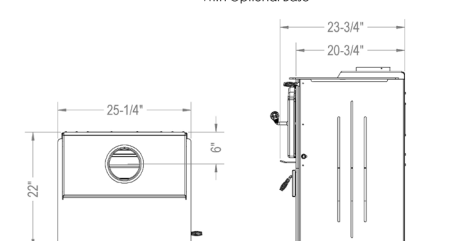
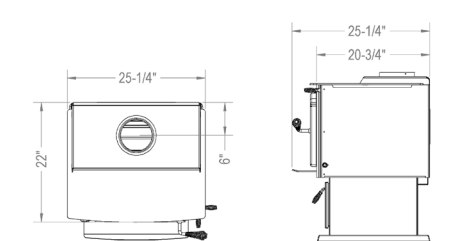
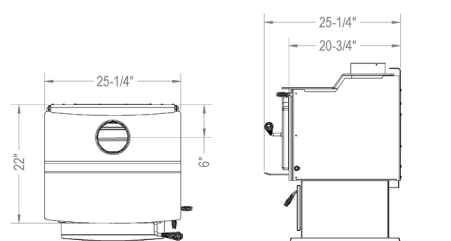
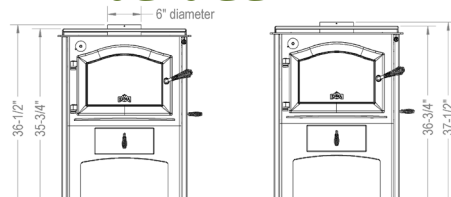
#### Tamarack LE



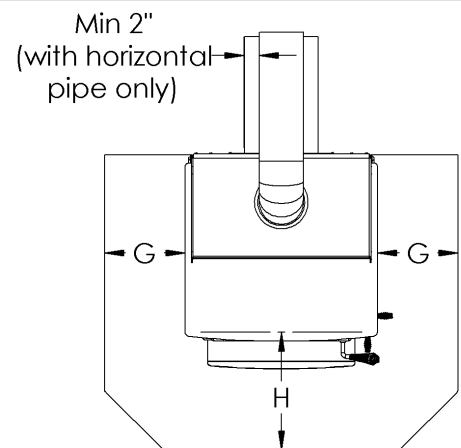
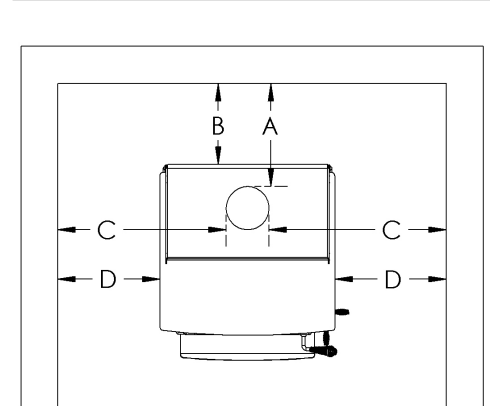
#### Aspen LE



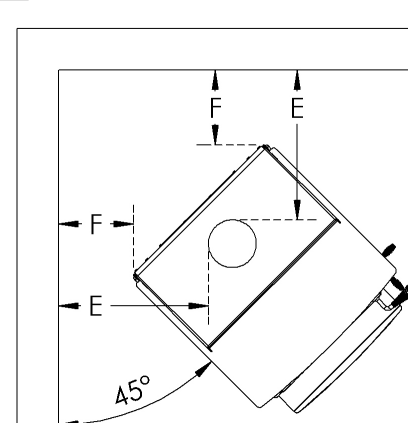
#### Aberdeen LE



	CLEARANCES FOR ALL K-180 MODELS	Single Wall Connector	Double Wall Connector
A	Back wall to pipe edge	15"	9.5"
B	Back wall to stove	12"	7"
C	Side wall to pipe edge	22"	21.5
D	Side wall to stove	12.5"	12.5
E	Side walls to pipe edge	15"	14"
F	Side wall to stove	5.5"	5"
G	Hearth to stove side	6"	6"
H	Hearth to stove face	16"	16"



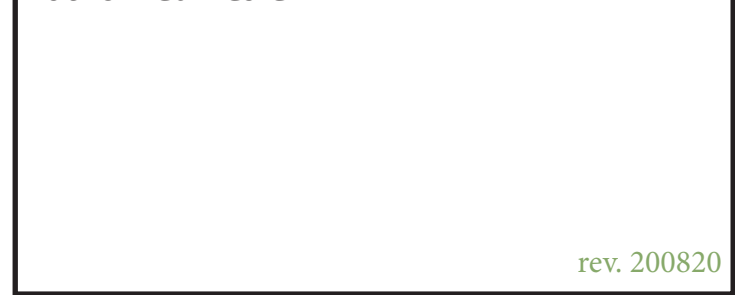
Type 1 Hearth (No R-Value Required)



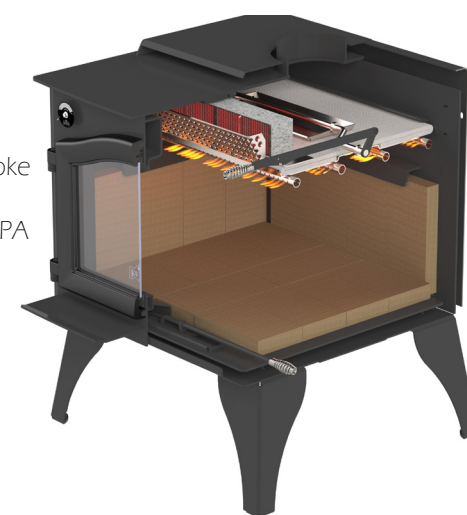
#### What does hybrid mean?

Our stoves combine 2 distinct burn systems into the firebox each with their own unique advantages. The first is the thermal combustion system (burn tubes). Burn tubes work great at temperatures above 1000° delivering secondary combustion air to incinerate most of the smoke. The second is the catalytic combustor system which lowers the temperature at which wood smoke will burn down to 500° so on medium and low burn rates, hybrid stoves will continue to burn super clean and efficient. Our entire line of low emission hybrid stoves and inserts comply with EPA 2020 requirements.

#### Authorized Dealer:



rev. 200820



Featuring a high-flow durable all metal combustor that removes in seconds for easy maintenance

## K-180 SERIES

# Wood Burning Stoves

With <sup>E</sup>HYBRID<sub>E</sub> Technology



# Tamarack LE

Shown with an ash pan pedestal and a black door.

Named for the unique tamarack tree, this stove remains ever loved for the distinct heat characteristics of its step-top surface as well as its time-honored American hearth looks. Wood from the tamarack tree is strong, heavy, and burns as a bright crackling fire - which produces tremendous heat. This Kuma stove is aptly named for it.

With clean lines and a dominant fire viewing area, the Kuma Aspen LE couples advanced efficiency with elegant simplicity. As with all Kuma models, the Aspen LE is highly configurable with many options. Create a warm and inviting hearth with the quality Kuma Aspen LE.

# Aspen LE

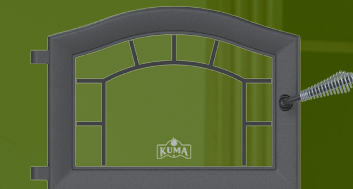
Shown with cast legs and a pewter door

The elevated firebox for ease of loading, wood storage area beneath and superb Kuma ash removal system are standard features that make heating with our Aberdeen LE a pleasant experience. Attractive design, an extended burn time and very high efficiencies make the Kuma Aberdeen LE unparalleled in its qualities and capabilities.

# Aberdeen LE

Shown with a brushed stainless door trim.

Optional Door Styles



Window Sunburst



Pewter



New!

Brushed Stainless Trim



True Efficiency (HHV)	81% <small>87% LHV</small>
Maximum Heat Output	63,000 BTU's/Hr
Burn Time	9 hours
Wood Length	16"
Heating Capacity	1400 - 2000 sq. ft.
Firebox Size	1.8 cu. ft.
Emissions	0.72 grams/hr.
CO Emissions	0.14 grams/min.
Flue Size	6"
Weight	375 lbs.

- 🔥 Classic step top design
- 🔥 EPA 2020 cord wood certified
- 🔥 UL Safety tested
- 🔥 Pedestal and ash pan options
- 🔥 Variety of leg styles
- 🔥 Manufactured home approved
- 🔥 Outside air ready
- 🔥 Variable speed blower option
- 🔥 Variety of door styles

True Efficiency (HHV)	81% <small>87% LHV</small>
Maximum Heat Output	63,000 BTU's/Hr
Burn Time	9 hours
Wood Length	16"
Heating Capacity	1400 - 2000 sq. ft.
Firebox Size	1.8 cu. ft.
Emissions	0.72 grams/hr.
CO Emissions	0.14 grams/min.
Flue Size	6"
Weight	365 lbs.

Burn Time and Heating Capacity will vary depending on wood type, chimney length, home layout, desired temperature and your home's insulation value.

- 🔥 EPA 2020 cord wood certified
- 🔥 UL Safety tested
- 🔥 Pedestal and ash pan options
- 🔥 Variety of leg styles
- 🔥 Manufactured home approved
- 🔥 Outside air ready
- 🔥 Variable speed blower option
- 🔥 Variety of door styles

True Efficiency (HHV)	81% <small>87% LHV</small>
Maximum Heat Output	63,000 BTU's/Hr
Burn Time	9 hours
Wood Length	16"
Heating Capacity	1400 - 2000 sq. ft.
Firebox Size	1.8 cu. ft.
Emissions	0.72 grams/hr.
CO Emissions	0.14 grams/min.
Flue Size	6"
Weight	395 lbs.

- 🔥 Wood storage area
- 🔥 Innovative no-smoke paint
- 🔥 Modern European design
- 🔥 UL Safety tested
- 🔥 EPA 2020 cord wood certified
- 🔥 "Live grate" ash pan system included
- 🔥 Manufactured home approved
- 🔥 Outside air ready
- 🔥 Variable speed blower option
- 🔥 Variety of door styles