



Ultimate™ U39E Freestanding Gas Stove

**Owners &
Installation Manual**



www.regency-fire.com

MODELS: U39E-NG12 Natural Gas U39E-LP12 Propane

⚠ WARNING
FIRE OR EXPLOSION HAZARD
Failure to follow safety warnings exactly could result in serious injury, death, or property damage.

- Do not store or use gasoline or other flammable vapors and liquids in the vicinity of this or any other appliance.

- **WHAT TO DO IF YOU SMELL GAS**
 - Do not try to light any appliance.
 - Do not touch any electrical switch: do not use any phone in your building. Leave the building immediately.
 - Immediately call your gas supplier from a neighbour's phone. Follow the gas supplier's instructions.
 - If you cannot reach your gas supplier, call the fire department.

Installation and service must be performed by a qualified installer, service agency or the gas supplier.

<p>Tested by:</p> 	<p>Certified to/Certifié pour: CSA 2.17-2017 ANSI Z21.88- 2019 CSA 2.33-2019</p>	<p><i>Installer:</i> Please complete the details on the back cover and leave this manual with the homeowner. <i>Homeowner:</i> Please keep these instructions for future reference.</p>
---	--	---

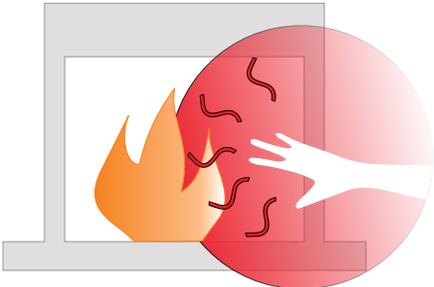
REGENCY® ULTIMATE Direct Vent Freestanding Gas Stove

To the New Owner:

Congratulations! You are the owner of a state-of-the-art ULTIMATE Direct Vent Gas Stove by FPI Fireplace Products International Ltd. The Regency® Gas Series of hand crafted appliances has been designed to provide you with all the warmth and charm of a woodstove, at the flick of a switch. The models U39E-NG12, and U39E-LP12 of this series has been approved by Warnock Hersey/Intertek for both safety and efficiency. As it also bears our own mark, it promises to provide you with economy, comfort and security for many trouble free years to follow. Please take a moment now to acquaint yourself with these instructions and the many features of your ULTIMATE Direct Vent Freestanding Gas Stove.



DANGER



**HOT GLASS WILL
CAUSE BURNS**

**DO NOT TOUCH GLASS
UNTIL COOLED**

**NEVER ALLOW CHILDREN
TO TOUCH GLASS**

A barrier designed to reduce the risk of burns from the hot viewing glass is provided with this appliance and must be installed for the protection of children and other at risk individuals.

CAUTION:
HOT WHILE IN OPERATION. DO NOT TOUCH.
SEVERE BURNS MAY RESULT. KEEP CHILDREN, CLOTHING, FURNITURE,
GASOLINE, AND ANY OTHER LIQUIDS WITH FLAMMABLE VAPOURS AWAY.

**KEEP BURNER AND CONTROL COMPARTMENT CLEAN.
SEE INSTALLATION AND OPERATING INSTRUCTIONS ACCOMPANYING
APPLIANCE.**

920-408



NATIONAL
FIREPLACE
INSTITUTE

CERTIFIED
www.nfi-certified.org

We recommend that our products be installed and serviced by professionals who are certified in the U.S. by the National Fireplace Institute® (NFI) or in Canada by Wood Energy Technical Training (WETT).



Wood Energy
Technical Training

This appliance may only be installed in an aftermarket permanently located, manufactured (USA only) or mobile home, where not prohibited by local codes.

This appliance is only for use with the type of gas indicated on the rating plate. This appliance is not convertible for use with other gases, unless a certified kit is used.



U38-39 Video

Owner's Information

Copy of Safety Label for U39E Gas Stove	5
Decal Location	5
Before You Start.....	8
Lighting Procedure	9
Shutdown Procedure	9
Copy of the Lighting Plate Instructions.....	10
Proflame II Remote Control Operating Instructions ..	11
Proflame II Battery Holder Battery Replacement & Battery Pack Up	15
Warranty	58

Installer's information

Dimensions

Unit Dimensions	4
-----------------------	---

Installation

Gas Installation Checklist	6
Proflame II Battery Holder Battery Replacement & Battery Pack Up	15
Important Information.....	17
Specifications.....	17
Information For Mobile/ Manufactured Homes After First Sale	17
General Safety Information	18
Installation Checklist.....	18
Clearances To Combustibles	18
Manufactured Mobile Home Requirements.....	19
Locating Your Ultimate Gas Stove.....	19
Louver Installation.....	19
Combustion And Ventilation Air	19
Safety Screen Installation	19
Venting Introduction.....	19
Exterior Vent Terminal Locations.....	20
4" x 6-5/8" Rigid Pipe Cross Reference Chart.....	21
Rigid Pipe Venting Systems	23
Installation Precautions.....	24
Safety Precautions for the Installer	24
Rigid Pipe Venting Arrangements.....	25
DV Stove Horizontal Vent Kit Installation	27
Dura-Vent Termination Kit.....	29
Dura-Vent Venting Components.....	29
Dura-Vent Horizontal Terminations.....	30
Dura-Vent Vertical Terminations.....	31
Cathedral Ceilings.....	32
Converting a Class-A Metal Chimney to a	

Direct Vent System	33
Converting a Factory Built Metal Chimney.....	33
System Date	34
Gas Connection.....	34
High Elevation.....	34
Conversion from NG to LP.....	35
Conversion to High Elevation.....	36
Gas Pipe Pressure Testing	36
885 S.I.T. Valve Description.....	37
Aeration Adjustment.....	37
On Demand Pilot Light.....	37
Log Set Installation	38
Driftwood Log Set Installation	41
Wiring Diagram without Thermostat	44
Optional Wall Thermostat	45
Wiring Diagram with Optional Thermostat.....	45

Operating Instructions

First Fire.....	46
Operating Instructions	46
Operation using an Optional Wall Thermostat.....	46
Proflame II Battery Holder Battery Replacement & Battery Backup	47
Automatic Convection Fan Operation	48
Adjusting Flame Height.....	48
Normal Operating Sounds of Gas Appliances	48

Maintenance

Maintenance Instructions	49
Flame Pattern	49
Log Replacement	50
Door Gasket	50
Latch Adjustment	50
Glass Replacement	50
Panel Glass Replacement	50
Installing Glass.....	50
Fan Maintenance	51
Valve Replacement	52
Gas Maintenance.....	53

Parts

Main Assembly	54
Burner & Log Assembly.....	55
Door Assembly.....	56

Warranty

Warranty	58
----------------	----

On Demand Pilot (seven day safety timer)

Important information if using the appliance in CPI (continuous pilot mode) only

This appliance is a ProFlame 2 system fitted with the "On Demand" Pilot, a safety feature which will shut down the gas valve completely by extinguishing the pilot light in the event of a continuous full seven days of inactivity.

This only applies if the CPI (continuous pilot) switch is in the "on" position in your remote control transmitter.

Each time the main burner shuts down, manually or through the call from the thermostat, the seven day timer starts again.

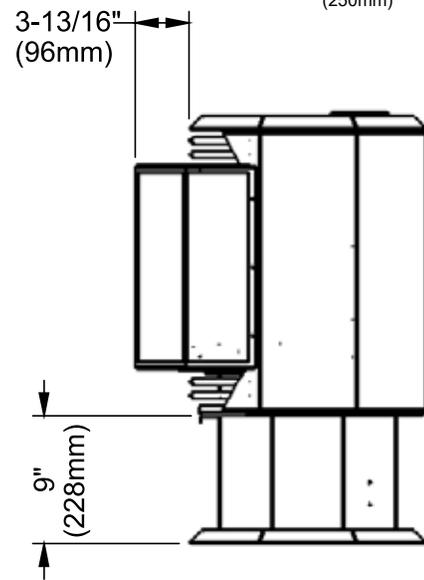
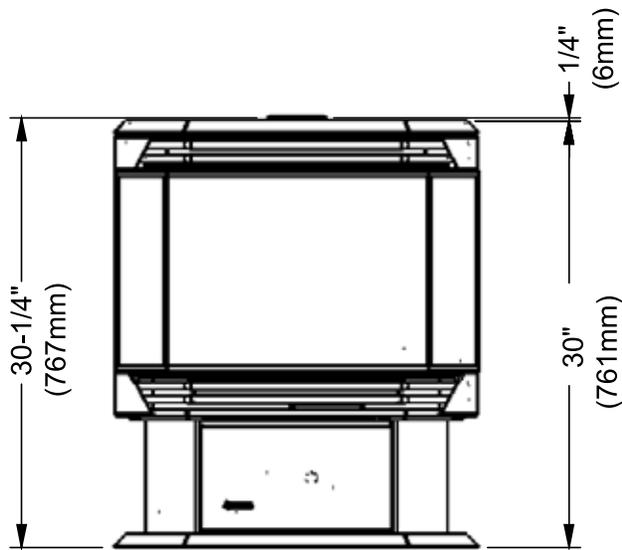
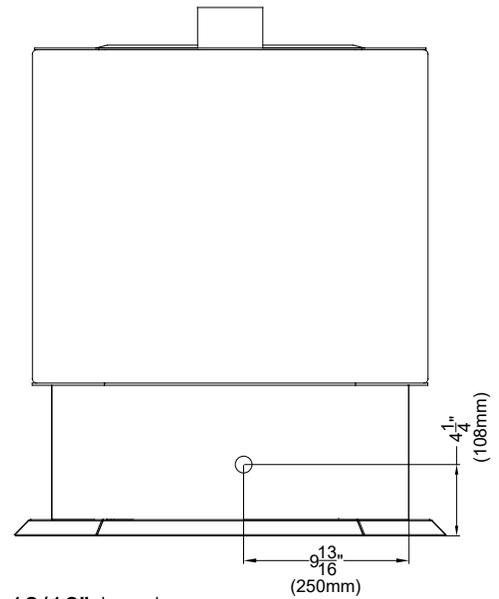
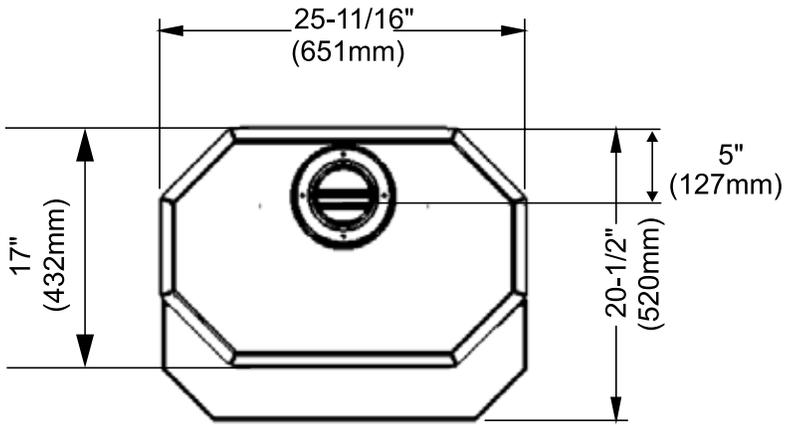
The seven day inactivity timer is controlled within the circuit board. Therefore, if in CPI mode and when the pilot light is extinguished after seven straight days of inactivity, the CPI setting on the remote control transmitter will remain in the "CPI" (continuous pilot) position. Therefore, all that is required to relight the pilot would be to press the on/off button on the remote control transmitter from "on" to "off" and back to "on". Once the pilot has re-established operation will resume as normal. There is no requirement to do anything with the IPI/CPI mode on the remote control transmitter.

If the unit never goes as long as seven full days without a call for heat, the pilot will remain lit until it is manually shut-off.

If the unit is being operated in IPI (intermittent pilot) mode, neither the above instructions nor the seven day timer will apply.

See the instructions in this manual and on the Lighting Instructions plate on the appliance to light or re-light the pilot.

dimensions



ALL PICTURES / DIAGRAMS SHOWN THROUGHOUT THIS MANUAL ARE FOR ILLUSTRATION PURPOSES ONLY. ACTUAL PRODUCT MAY VARY DUE TO PRODUCT ENHANCEMENTS.

This is a copy of the label that accompanies each ULTIMATE Direct Vent Freestanding Gas Stove. We have printed a copy of the contents here for your review. The safety label is located on the inside of the drop down pedestal door.

NOTE: Regency® units are constantly being improved. Check the label on the unit and if there is a difference, the label on the unit is the correct one.

Copy of Safety Label for U39E Gas Stove

Duplicate serial #		533
Listed: VENTED GAS FIREPLACE HEATER / FOYER AU GAZ À ÉVACUATION Certified to/Certifié : ANSI Z21.88-2019 • CSA 2.33-2019 / CSA 2.17-2017 MAY BE INSTALLED IN MANUFACTURED (MOBILE) HOMES AFTER FIRST SALE Refer to Intertek's Directory of Building Products for detailed information. Pour plus de détails, se reporter au Répertoire des produits de construction de Intertek.		DO NOT REMOVE THIS LABEL / NE PAS ENLEVER CETTE ÉTIQUETTE 533 Serial No./No de série
Model/Modèle : U39E-NG12	FACTORY EQUIPPED FOR NATURAL GAS: Model U39E-NG12 Minimum supply pressure 5" WC/C.E. (1.25kPa) Manifold pressure High 3.5" WC/C.E. (0.87kPa) Manifold pressure Low 1.6" WC/C.E. (0.40kPa) Model U39E-NG12: Factory Equipped for Altitude 0-2000 ft. <hr/> Orifice size #32 DMS Altitude 0-2000 ft/pi (0-610) Maximum Input 38,000 Btu/h (11.1Kwh) Minimum Input 26,000 Btu/h (7.61Kwh) <hr/> Model U39E-NG12: Convertible for Altitude 0-4500 ft. Orifice size #35 DMS Altitude 0-4500 ft/pi (0-1370m) Maximum Input 35,000 Btu/h (10.26Kwh) Minimum Input 24,000 Btu/h (7.03Kwh)	APPAREIL FONCTIONNANT AU GAZ NATUREL : Modèle U39E-NG12 Pression d'alimentation minimale Pression manifold élevée Pression manifold basse Fonctionnant à une altitude entre 0 et 2000 pi : <hr/> Dimensions de l'orifice Altitude Débit calorifique maximal Débit calorifique minimal <hr/> Convertible pour altitude entre 0 et 4500 pi : Dimensions de l'orifice Altitude Débit calorifique maximal Débit calorifique minimal
Model/Modèle : U39E-LP12	FACTORY EQUIPPED FOR PROPANE GAS: Model U39E-LP12 Minimum supply pressure 11" WC/C.E. (2.74Kpa) Manifold pressure High 10" WC/C.E. (2.49Kpa) Manifold pressure Low 6.4" WC/C.E. (1.59Kpa) Orifice size 49 DMS Altitude 0-2,000 ft/pi (0-610m) Maximum Input 38,000 BTU/h (11.1Kwh) Minimum Input 30,000 BTU/h (8.79Kwh) <hr/> Model U39E-LP12: Convertible for Altitude 0-4500 ft. Orifice size #51 DMS Maximum Input 32,500 Btu/h (9.52Kwh) Minimum Input 26,000 Btu/h (7.61Kwh)	APPAREIL FONCTIONNANT AU PROPANE : Modèle U39E-LP12 Pression d'alimentation minimale Pression manifold élevée Pression manifold basse Dimensions de l'orifice Altitude Débit calorifique maximal Débit calorifique minimal <hr/> Convertible pour altitude entre 0 et 4500 pi : Dimensions de l'orifice Altitude Débit calorifique maximal Débit calorifique minimal
ELECTRICAL SUPPLY/ALIMENTATION ÉLECTRIQUE FPI Fireplace Products International Ltd. Delta, BC, Canada 115V, 60HZ less than/Moins de 2 AMP. Made in Canada / Fabriqué au Canada		Minimum Clearances to Combustibles Dégagements minimaux aux matériaux combustibles A 7-1/2" /190mm B 6" /150mm E 2" /50mm Min. Ceiling Height from top of unit/ Min. Plafond Hauteur depuis le haut de l'appareil: 36" / 914 mm
This appliance must be installed in accordance with local codes, if any; if none, follow the National Fuel Gas Code, ANSI Z223.1, or Natural Gas and Propane Installation Code, CSA B149.1. This appliance must be installed in accordance with the Standard CAN/CSA Z240 MH, Mobile Housing, in Canada, or with the Manufactured Home Construction and Safety Standard, Title 24 CFR, Part 3280, in the United States, or when such a standard is not applicable, ANSI/NCSCBCS A225.1/NFPA 501A, Manufactured Home Installations Standard or ANSI A119.2 ou NFPA 501C Standard for Recreational Vehicles This appliance is only for use with the type of gas indicated on the rating plate and may be installed in an aftermarket, permanently located, manufactured (mobile) home where not prohibited by local codes. See owner's manual for details. Optional Fan (Part# 910-331/P). Installer l'appareil selon les codes ou règlements locaux, ou, en l'absence de tels règlements, selon les codes d'installation ANSI Z223.1, National Fuel Gas Code ou CSA-B149.1 en vigueur. Installer l'appareil selon la norme CAN/CSA-Z240, Série MM, Maison mobiles ou CAN/CSA-Z240 VC, Véhicules de camping, ou la norme 24 CFR Part 3280, Manufactured Home Construction and Safety Standard. Si ces normes ne sont pas pertinentes, se reporter à la norme ANSI/NCSCBCS A225.1/NFPA 501A, Manufactured Home Installations Standard, ou ANSI A119.2 ou NFPA 501C Standard for Recreational Vehicles. Cet appareil doit être utilisé uniquement avec le type de gaz indiqué sur la plaque signalétique. Cet appareil peut être installé dans une maison préfabriquée mobile installée à demeure si les règlements locaux le permettent. Voir le manuel d'utilisation pour plus de renseignements. Ventilateur en option (Pièce n° 910/331/P) This vented gas fireplace heater is not for use with air filters. N e pas utiliser de filtre à air avec ce foyer au gaz à évacuation . For use with glass doors certified with the appliance only À utiliser uniquement avec les portes vitrées certifiées avec l'appareil For Use Only with Barrier (Part #732-929) Follow installation instructions. Utiliser uniquement avec l'écran de sécurité (n° 732-929). Suivre les consignes d'installation.		
VENTED GAS FIREPLACE HEATER - NOT FOR USE WITH SOLID FUELS. CATEGORY I. FOYER AU GAZ À ÉVACUATION - NE PAS UTILISER AVEC UN COMBUSTIBLE SOLIDE. CATÉGORIE I.		
CANADIAN ENERGY PERFORMANCE VERIFIED CSA P.4.1 Fireplace Efficiency (FE) /Efficacité énergétique des foyers (EEF) CSA P.4.1 Natural Gas / Gaz naturel 73.45% Propane Gas / Gaz propane 75.68%		920-136b

Decal location

For the State of Massachusetts, installation and repair must be done by a plumber or gas fitter licensed in the Commonwealth of Massachusetts.

For the State of Massachusetts, flexible connectors shall not exceed 36 inches in length.

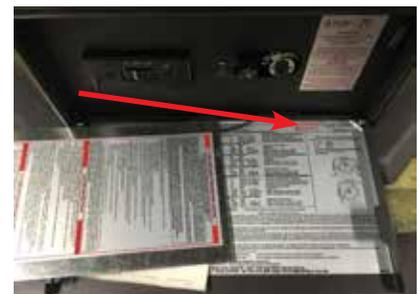
For the State of Massachusetts, the appliances individual manual shut-off must be a t-handle type valve.

The State of Massachusetts requires the installation of a carbon monoxide alarm in accordance with NFPA 720 and a CO alarm with battery back up in the same room where the gas appliance is installed.



Lower access panel and locate the rating located on the back of the access panel (see image below).

DO NOT REMOVE FROM THE UNIT.



installation

Gas Installation Checklist

This general checklist does not contain all pertinent installation details or specifics and does not supersede the guidelines in this manual. Your Regency dealer/installer should use it in conjunction with manual instructions. Please follow all local codes and jurisdictions in authority.

Customer: _____	Date Installed: _____
Install Address: _____	Location of Fireplace: _____
Serial No: _____	Installer: _____
Model No: _____	

Site Requirements	YES	NO
If applicable, are the insulation, vapour barrier, and drywall present if installed on an outside wall or chase?		
Does the area have a solid continuous base to support the unit?		
Will the area accommodate the size of the appliance and all clearances?		
Are the gas and electrical roughed into the area where the unit is being installed?		
In City & Grandview series cool wall applications, is the chase enclosure sealed to prevent heat from escaping? All hot air from the unit must exit via the mandatory ventilation openings.		
In City & Grandview applications, Is the chase enclosure vented with the mandatory heat ventilation openings? See manual for details.		
If applicable, is the masonry/factory built fireplace in its original condition with no modifications?		
If applicable, have the hearth requirements been met?		
Unit Setup	YES	NO
If applicable, are the standoffs and top nailing flange extensions installed and at the correct depth to accommodate finishing material? See manual for details.		
If applicable, is the fireplace level and secured, meeting framing clearances? See manual for details.		
If applicable, is the unit converted to top or rear vent per manual instructions, and the insulation discarded?		
Venting	YES	NO
Are the venting components approved for the unit installed?		
Does the venting configuration comply with venting diagrams?		
Is venting installed and secured, and are clearances for the vent pipe and termination cap maintained?		
If applicable, was a 1/4" rise maintained for every foot of horizontal run?		
Was the termination installed and sealed?		
Is the direct vent termination at the highest point in the vent assembly?		
If applicable, are both chimney liners continuous from flue collars to termination?		
Electrical and Wiring	YES	NO
Is the appliance connected to the household's 110/120v per local codes? Check local codes for receptacle placement.		
Were the connections in the fireplace tested with a circuit tester?		
Is the appliance properly grounded?		
If applicable, is the supplied electrical/gang box affixed to the wall to facilitate the mounting of the receiver/battery box ?		
Gas	YES	NO
Does the supply pressure meet the requirements shown on the rating plate?		
Was a conversion performed?		
Was a leak check performed and manifold pressures verified?		
Is the shut-off valve installed and easily accessible to the customer?		

Finishing	YES	NO
If applicable, is only noncombustible material installed in the noncombustible areas?		
Do clearances meet installation and manual requirements?		
Do the mantels and/or projections comply with the installation manual?		
If applicable, was the solid fuel fireplace warning plate installed?		
Appliance Media Setup	YES	NO
Do commands from the remote or wall switch light the pilot and main burner?		
Are the burner media/log set, glass door, and screen installed per instructions in the manual?		
Was the air shutter on the proper setting after running the unit for 20 minutes?		
If applicable, were the surround and trims installed according to the manual?		
Was the operation of the fan, lights (if installed), and flame modulation checked?		
Customer Tutorial and Presentation	YES	NO
Is the customer confident operating the new gas appliance and aware of all the features on the remote?		
Confirm that the rating and lighting plates are attached to the appliance. Do not remove.		
Was the customer informed of the location of the rating and lighting plates?		
Was accessing unit controls in a power outage explained to the customer?		
Are the model and serial numbers and the date of installation of the unit written in the manual and on the checklist?		
Were the warranty and unit registration reviewed with the customer?		
Comments:		

owner's information

Before You Start

Safe installation and operation of this appliance requires common sense, however, we are required by the Canadian Safety Standards and ANSI Standards to make you aware of the following:

INSTALLATION AND REPAIR SHOULD BE DONE BY AN AUTHORIZED SERVICE PERSON. THE APPLIANCE SHOULD BE INSPECTED BEFORE USE AND AT LEAST ANNUALLY BY A PROFESSIONAL SERVICE PERSON. MORE FREQUENT CLEANING MAY BE REQUIRED DUE TO EXCESSIVE LINT FROM CARPETING, BEDDING MATERIAL, ETC. IT IS IMPERATIVE THAT CONTROL COMPARTMENTS, BURNERS AND CIRCULATING AIR PASSAGEWAYS OF THE APPLIANCE BE KEPT CLEAN.

DUE TO HIGH TEMPERATURES, THE APPLIANCE SHOULD BE LOCATED OUT OF TRAFFIC AND AWAY FROM FURNITURE AND DRAPERIES.

WARNING: FAILURE TO INSTALL THIS APPLIANCE CORRECTLY WILL VOID YOUR WARRANTY AND MAY CAUSE A SERIOUS HOUSE FIRE.

CHILDREN AND ADULTS SHOULD BE ALERTED TO THE HAZARDS OF HIGH SURFACE TEMPERATURES, ESPECIALLY THE FIREPLACE GLASS, AND SHOULD STAY AWAY TO AVOID BURNS OR CLOTHING IGNITION.

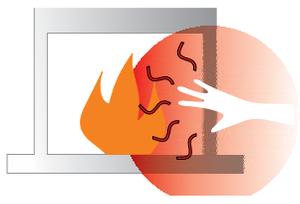
YOUNG CHILDREN SHOULD BE CAREFULLY SUPERVISED WHEN THEY ARE IN THE SAME AREA AS THE APPLIANCE. TODDLERS, YOUNG CHILDREN AND OTHERS MAY BE SUSCEPTIBLE TO ACCIDENTAL CONTACT BURNS. A PHYSICAL BARRIERS IS RECOMMENDED IF THERE ARE AT RISK INDIVIDUAL IN THE HOUSE. TO RESTRICT ACCESS TO A FIREPLACE OR STOVE, INSTALL AN ADJUSTABLE SAFETY GATE TO KEEP TODDLERS, YOUNG CHILDREN AND OTHER AT RISK INDIVIDUALS OUT OF THE ROOM AND AWAY FROM HOT SURFACES.

CLOTHING OR OTHER FLAMMABLE MATERIAL SHOULD NOT BE PLACED ON OR NEAR THE APPLIANCE.

A BARRIER DESIGNED TO REDUCE THE RISK OF BURNS FROM THE HOT VIEWING GLASS IS PROVIDED WITH THIS APPLIANCE AND SHALL BE INSTALLED FOR THE PROTECTION OF CHILDREN AND OTHER AT-RISK INDIVIDUALS

IF THE BARRIER BECOMES DAMAGED, THE BARRIER SHALL BE REPLACED WITH THE MANUFACTURER'S BARRIER FOR THIS APPLIANCE.

ANY SAFETY SCREEN, GUARD, OR BARRIER REMOVED FOR SERVICING AN APPLIANCE MUST BE REPLACED PRIOR TO OPERATING THE APPLIANCE.



WARNING: Cancer and Reproductive Harm
www.P65Warnings.ca.gov

919-874

Lighting Procedure

IMPORTANT: The remote control system supplied with this appliance has several options for starting/operating the appliance using the battery holder and ON/OFF key on the hand held transmitter.

Prior to operating this appliance, please read the remote control operating instructions (packaged with remote control) to understand how to operate this remote control system.

1. Ensure the battery holder switch is in the Remote position and / or wall mounted battery holder (if equipped) is in the <REMOTE> position.
2. Press and release the ON/OFF button on the remote handheld transmitter (see Diagram 1). An audible beep should be heard from the receiver. If not using the remote, the unit can also be turned on by sliding the battery holder switch to the <ON> position (if equipped).



Diagram 1
Remote shown in Manual Mode on Hi

3. After approximately 4 seconds the spark ignition system will spark for 60 seconds to light the pilot.
4. The unit will turn on.



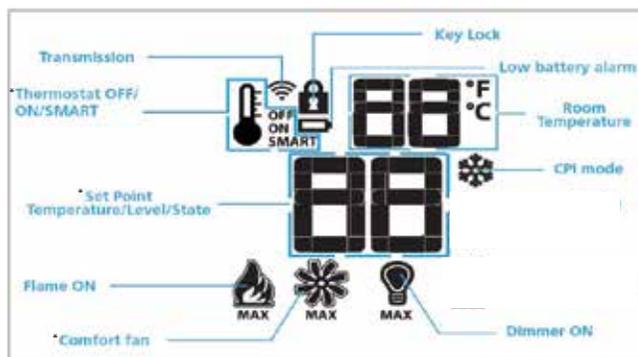
Note: The first try for ignition will last approximately 60 seconds. If there is no flame ignition (rectification) the board will stop sparking for approximately 35 seconds. After wait time, the board will start second try for ignition by sparking for approximately 60 seconds. If there is still no positive ignition the board will go into lock out.

The system will need to be reset as follows:

- a) Turn the system off by pressing the ON/OFF button on the remote.
- b) Wait 5 minutes then repeat from step 2.

Shutdown Procedure

1. Press the ON/OFF button on the remote
2. If service is to be performed- you must disconnect power and shut off gas to the unit.



* Not offered on all models.

Fan Operation: The standard fan can be operated by using the remote control supplied with this unit. See remote control instructions.

Note: In thermostat mode: When the appliance is turned on, the fan will not come on for the first 5 minutes (if fan is turned on). When the appliance is turned off the fan will not turn off for 12 minutes (if in on position)

Manual mode: Fan will turn on and off immediately using the remote control transmitter if the fan function is in the "on" position.

Continuous Pilot/Intermittent Pilot (CPI/IPI) **selection**

See remote control instructions for details.

On Demand Pilot (seven day safety timer)

Important information if using the appliance in CPI (continuous pilot mode) only

This appliance is a ProFlame 2 system fitted with the "On Demand" Pilot, a safety feature which will shut down the gas valve completely by extinguishing the pilot light in the event of a continuous full seven days of inactivity.

This only applies if the CPI (continuous pilot) switch is in the "on" position in your remote control transmitter.

Each time the main burner shuts down, manually or through the call from the thermostat, the seven day timer starts again.

The seven day inactivity timer is controlled within the circuit board. Therefore, if in CPI mode and when the pilot light is extinguished after seven straight days of inactivity, the CPI setting on the remote control transmitter will remain in the "CPI" (continuous pilot) position. Therefore, all that is required to relight the pilot would be to press the on/off button on the remote control transmitter from "on" to "off" and back to "on". Once the pilot has re-established operation will resume as normal. There is no requirement to do anything with the IPI/CPI mode on the remote control transmitter.

If the unit never goes as long as seven full days without a call for heat, the pilot will remain lit until it is manually shut-off.

If the unit is being operated in IPI (intermittent pilot) mode, neither the above instructions nor the seven day timer will apply.

See the instructions in this manual and on the Lighting Instructions plate on the appliance to light or re-light the pilot.

Copy of the Lighting Plate Instructions

FOR YOUR SAFETY READ BEFORE LIGHTING POUR VOTRE SÉCURITÉ – À LIRE AVANT LA MISE EN MARCHÉ

WARNING: If you do not follow these instructions exactly, a fire or explosion may result causing property damage, personal injury or loss of life. Improper installation, adjustment, alteration, service or maintenance can cause injury or property damage. Refer to the owner's information manual provided with this appliance. For assistance or additional information consult a qualified installer, service agency or gas supplier.

AVERTISSEMENT : Quiconque ne respecte pas scrupuleusement les instructions de la présente notice risque de déclencher un incendie ou une explosion pouvant entraîner des dégâts matériels ou des blessures pouvant être mortelles. Tout défaut d'installation, de réglage, de modification, de service ou d'entretien peut entraîner des blessures ou des dommages matériels. Reportez-vous au manuel d'utilisation fourni avec cet équipement. Pour obtenir de l'aide ou des informations complémentaires, consulter un installateur ou un service d'entretien qualifié, ou le fournisseur de gaz.

A) This appliance is equipped with an ignition device which automatically lights the pilot.

Do not try to light the pilot by hand.

B) **BEFORE OPERATING** smell all around the appliance area for gas. Be sure to smell next to the floor because some gas is heavier than air and will settle on the floor.

WHAT TO DO IF YOU SMELL GAS

- Do not try to light any appliance.
- Do not touch any electric switch, do not use any phone in your building.
- Leave the building immediately.
- Immediately call your gas supplier from a neighbour's phone. Follow the gas supplier's instructions.
- If you cannot reach your gas supplier, call the fire department.

C) Do not use this appliance if any part has been under water. Immediately call a qualified service technician to inspect the appliance and to replace any part of the control system and any gas control which has been underwater.

A) Cet appareil est muni d'un dispositif d'allumage qui allume automatiquement la veilleuse. Ne tentez pas d'allumer la veilleuse manuellement.

B) **AVANT LA MISE EN MARCHÉ**, renifliez tout autour de l'appareil pour détecter une odeur de gaz. Renifliez au niveau du plancher, car certains gaz sont plus lourds que l'air et peuvent s'accumuler au niveau du sol.

QUE FAIRE SI VOUS SENTEZ UNE ODEUR DE GAZ :

- Ne tentez pas d'allumer l'appareil
- Ne touchez à aucun interrupteur; n'utilisez pas le téléphone se trouvant dans le bâtiment.
- Quittez immédiatement le bâtiment.
- Appelez immédiatement votre fournisseur de gaz depuis un téléphone extérieur. Suivez les instructions du fournisseur.
- Si vous ne pouvez pas rejoindre le fournisseur, appelez le service incendie.

C) N'utilisez pas cet appareil s'il a été plongé dans l'eau, même partiellement. Faites inspecter l'appareil par un technicien qualifié et remplacez tout élément du système de contrôle ou de commande qui a été plongé dans l'eau.

CAUTION: Hot while in operation. Do not touch. Severe burns may result. Due to high surface temperatures keep children, clothing and furniture, gasoline and other liquids having flammable vapors away. Keep burner and control compartment clean. See installation and operating instructions accompanying appliance.

ATTENTION : Surfaces chaudes lorsque l'appareil est en marche. Ne pas toucher. Risque de brûlures graves. En raison des températures élevées, les enfants, les vêtements et le mobilier, le carburant et tout autre liquide aux vapeurs inflammables doivent être tenus éloignés de l'appareil. Nettoyer régulièrement le brûleur et le compartiment des commandes. Voir les consignes d'installation et d'utilisation fournies avec l'appareil.

OPERATING INSTRUCTIONS / CONSIGNES DE FONCTIONNEMENT

1) **STOP! Read the safety information above on this label.**

2) Ensure the Main switch is in the ON position and/or the wall mounted battery holder (if equipped) is in the <REMOTE> position.

3) Press and release the ON/OFF button on the remote handheld transmitter. An audible beep should be heard from the receiver. If not using the remote, the unit can also be turned on by sliding the battery holder switch to the <ON> position (if equipped).

4) After approximately 4 seconds the spark ignition system will spark for 60 seconds to light the main burner.

5) The unit will turn on.

Note: The first attempt to ignition will last approximately 60 seconds. If there is no flame ignition (rectification) the board will stop sparking for approximately 35 seconds. After this wait time, the board will start a second try for ignition by sparking for approximately 60 seconds. If there is still no positive ignition after the second attempt the board will go into lock out.

The system will need to be reset as follows (after going into lock out mode):

- a) Wait 5 minutes - turn the system off by pressing the ON/OFF button on the remote.
- b) After approximately 2 seconds press the ON/OFF button again.
- c) Unit will repeat step 2.

6) If the appliance will not operate, follow the instructions, "To Turn Off Gas to Appliance" and call your service technician or gas supplier. This appliance is equipped with an on-demand pilot that shuts off after seven days.

1) **STOP! Lisez les instructions de sécurité sur la portion supérieure de cette étiquette.**

2) S'assurer que le commutateur principal est en position ON et/ou que le bloc-piles mural (le cas échéant) est en position <REMOTE>.

3) Appuyer sur la touche ON/OFF de la télécommande puis relâcher. Un bip sonore retentira depuis le récepteur. Si vous n'utilisez pas la télécommande, l'appareil peut également être allumé en faisant glisser le commutateur du bloc-piles sur la position <ON> (le cas échéant).

4) Après environ 4 secondes, le système d'allumage produira une étincelle pendant 60 secondes pour allumer le brûleur principal.

5) L'appareil s'allumera.

Remarque : Au premier allumage, le système tente d'allumer les flammes pendant 60 secondes. Si l'essai est infructueux, le système fera une pause de 35 secondes. C'est ce qu'on appelle l'étape de rectification. Ce délai écoulé, le système tente à nouveau d'allumer les flammes en produisant des étincelles pendant 60 secondes. Si les flammes ne s'allument toujours pas, le système se met en mode verrouillage.

Il faut alors le réinitialiser en suivant les étapes ci-dessous (pour le déverrouiller) :

- a) Attendre 5 minutes et éteindre l'appareil en appuyant sur la touche ON/OFF de la télécommande.
- b) Attendre 2 secondes et appuyer encore une fois sur la touche ON/OFF.
- c) L'appareil répétera l'étape 2.

6) Si l'appareil ne fonctionne pas, suivez les instructions "Pour couper le gaz au niveau de l'appareil" et appelez un technicien qualifié ou votre fournisseur de gaz.

Cet appareil est équipé d'une veilleuse sur demande qui s'éteint après sept jours.

TO TURN OFF GAS TO APPLIANCE / POUR COUPER LE GAZ AU NIVEAU DE L'APPAREIL

1) Press the ON/OFF button on the remote or slide the wall mount switch to the "OFF" position.

2) If service is to be performed—you must disconnect power and shut off gas to the unit.

1) Appuyer sur la touche ON/OFF de la télécommande ou faites glisser l'interrupteur mural sur la position "OFF".

2) Lors de l'entretien de l'appareil, vous devez débrancher l'alimentation électrique et couper le gaz alimentant l'appareil.

DO NOT REMOVE THIS INSTRUCTION PLATE

NE PAS ENLEVER CETTE ÉTIQUETTE D'INSTRUCTIONS

919-649b

Proflame II Remote Control Operating Instructions

IMPORTANT: The Proflame Transmitter 2 is an integrated part of the Proflame 2 System, which consists of these elements:

- Proflame 2 Transmitter, to be used in conjunction with:
- Integrated Fireplaces Control (Proflame 2 IFC)

The Proflame 2 Transmitter provides for controlling the following hearth appliance functions:

1. Main Burner On/Off
2. Main Burner flame modulation (6 levels)
3. Choice of standing or intermittent pilot (CPI/IPI)
4. Thermostat and Smart thermostat functions
5. Accent light modulation (6 levels)**
6. Split flow valve**
7. Comfort Fan speed modulation (6 levels)**

** This feature is not available on any Hampton models.

The Proflame Transmitter uses a streamline design with a simple button layout and informative LCD display (Fig. 1). A Mode Key is provided to index between the features and a Thermostat Key is used to turn on/off or index through Thermostat functions (Fig. 1 & 2). Additionally, a Key Lock feature is provided (Fig. 22).



Figure 1: Proflame Transmitter

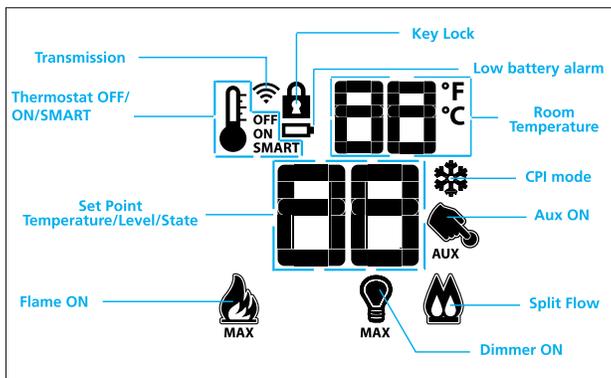


Figure 2: Transmitter LCD Display



TECHNICAL DATA REMOTE CONTROL

Supply Voltage	4.5V (three 1.5V AAA batteries)
Ambient temperature ratings	0 - 50°C (32 - 122°F)
Radio Frequency	315 MHZ

WARNING: THE TRANSMITTER AND IFC ARE RADIO FREQUENCY DEVICES.

ATTENTION!

- Turn "OFF" the main gas supply of the appliance during installation or maintenance of the IFC.

- Turn "OFF" main gas supply to the appliance prior to removing or reinserting the batteries.

- In case of remote control malfunction, turn off the IFC device using the "ON/OFF" main switch.

- For installation / maintenance, switch off the IFC device removing main power supply plug.

OPERATING PROCEDURE

Pairing the Remote Control to IFC (If required)

Power the receiver. Press the PRG button located on the top right hand corner of receiver. The receiver will beep three times to indicate that it is ready to synchronize with a transmitter. Install the 3 AAA type batteries in the transmitter battery bay, located on the base of the transmitter (fig. 3). With the batteries already installed in the transmitter, push the ON button. The receiver's command is accepted and sets to the particular code of that transmitter. The system is now initialized.

(*) The receiver may be independent or integral to the IFC hearth appliance control module. The receiver instruction may not be independent when part of the IFC.



Figure 3: Battery Compartment

Temperature indication Display

With the system in the "OFF" position, press the Thermostat Key and the Mode Key at the same time. Look at the LCD screen on the transmitter to verify that a C or F is visible to the right of the room temperature display (Figures 4 & 5).

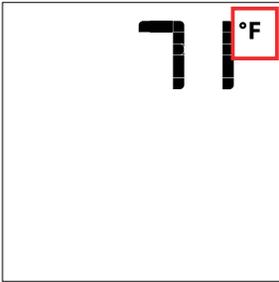


Figure 4: Remote Control display in Fahrenheit.

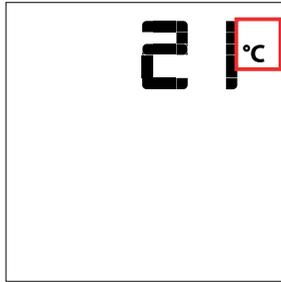


Figure 5: Remote Control display in Celsius.

Turn on the Appliance

With the system OFF, press the ON/OFF Key on the Transmitter. The Transmitter display will show some other active Icons on the screen. At the same time the IFC will activate the appliance. A single "beep" from the IFC will confirm reception of the command.

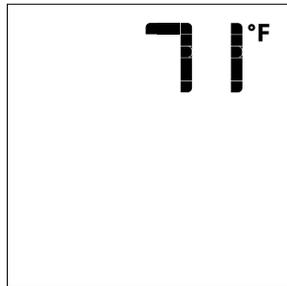


Figure 6: Remote Control display

Turn off the Appliance

With the system ON, press the ON/OFF Key on the Transmitter. The Transmitter LCD display will only show the room temperature (Fig. 6). At the same time the IFC will turn off the appliance. A single "beep" from the IFC confirms reception of the command.

Remote-Flame Control

The Proflame has six (6) flame levels. With the system on, and the flame level at the maximum in the appliance, pressing the Down Arrow Key once will reduce the flame height by one step until the flame is turned off.

The Up Arrow Key will increase the flame height each time it is pressed. If the Up Arrow Key is pressed while the system is on but the flame is off, the flame will come on in the high position. (Fig. 7 & 8) A single "beep" will confirm reception of the command.

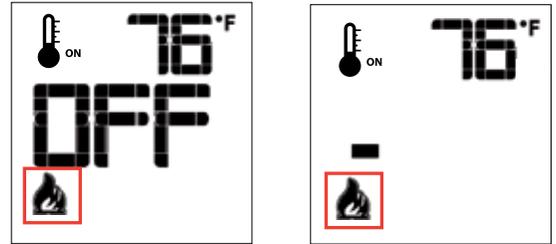


Fig. 7

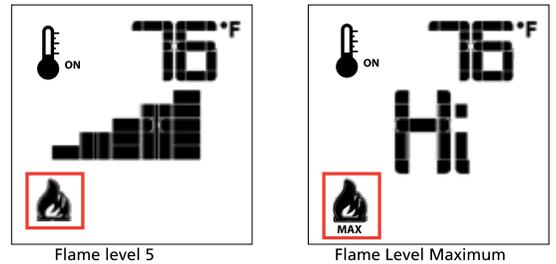


Fig. 8

Room Thermostat (Transmitter Operation)

The Remote Control can operate as a room thermostat. The thermostat can be set to a desired temperature to control the comfort level in a room.

To activate this function, press the Thermostat Key (Fig. 1). The LCD display on the Transmitter will change to show that the room thermostat is "ON" and the set temperature is now displayed (Fig. 9). To adjust the set temperature, press the Up or Down Arrow Keys until the desired set temperature is displayed on the LCD screen of the Transmitter.

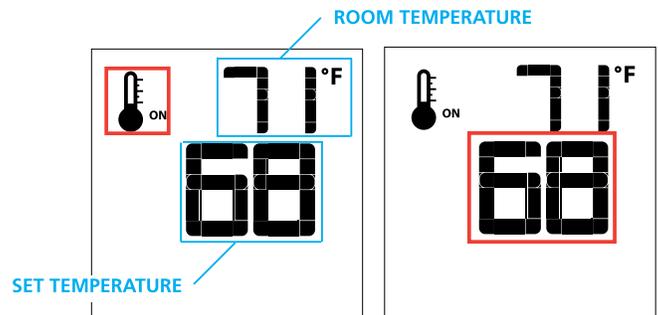


Figure 9

Figure 10

Smart Thermostat (Transmitter Operation)

The Smart Thermostat function adjusts the flame height in accordance to the difference between the set point temperature and the actual room temperatures. As the room temperature gets closer to the set point the Smart Function will modulate the flame down.

To activate this function, press the Thermostat Key (Fig. 1) until the word "SMART" appears to the right of the temperature bulb graphic (Fig. 11).

To adjust the set temperature, press the Up or Down Arrow Keys until the desired set temperature is displayed on the LCD screen of the Transmitter (Fig. 12).

Note. When Smart Thermostat is activated, manual flame height adjustment is disabled.

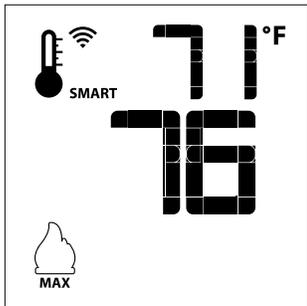


Figure 11: Smart Flame Function

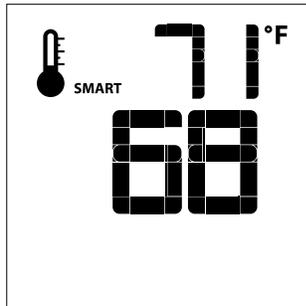


Figure 12

Fan Speed Control**

If the appliance is equipped with a hot air circulating fan, the speed of the fan can be controlled by the Proflame system. The fan speed can be adjusted through six (6) speeds. To activate this function use the Mode Key (fig.1) to index to the fan control icon (Fig. 13). Use the Up/Down Arrow Keys (fig.1) to turn on, off or adjust the fan speed (fig. 14). A single "beep" will confirm reception of the command.

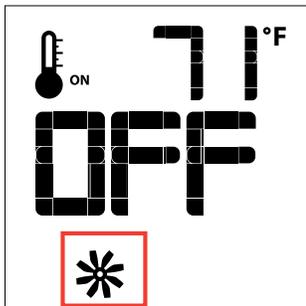


Figure 13

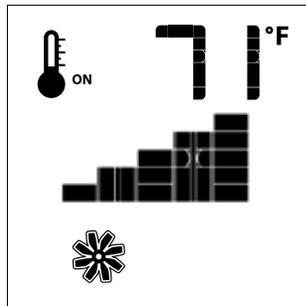


Figure 14

Remote dimmer control (Light)**

The auxiliary function controls the AUX power outlet by the dimmable light control. To activate this function use the Mode Key (fig. 1) to index to the AUX icon (fig. 15 & 16).

The intensity of the output can be adjusted through six (6) levels. Use the Up/Down Arrow Keys (Fig.1) adjust the output level (Fig. 16). A single "beep" will confirm reception of the command.

Note: This function is available only with the IFC Control Module.

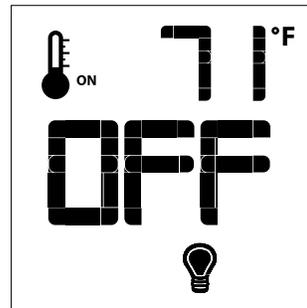


Figure 15

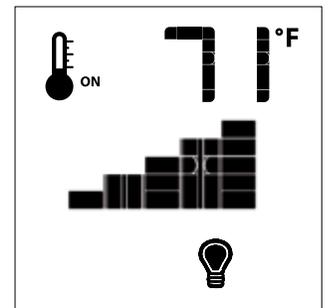


Figure 16

Split Flow control**

The secondary burner is controlled by the split Flow. To activate this function use the Mode Key (fig. 1) to index to the SPLIT FLOW mode icon (fig. 17 & 18).

Pressing the Up Arrow Key will activate the secondary burner. Pressing the Down Arrow Key will turn the secondary burner off. A single "beep" will confirm the reception of the command.

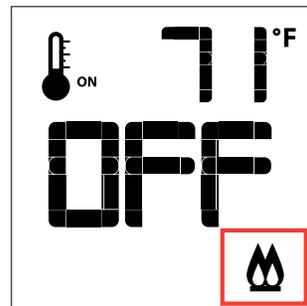


Figure 17

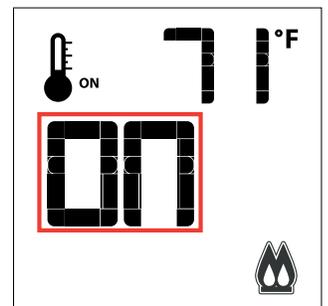


Figure 18

Continuous Pilot/Intermittent Pilot (CPI/IPI) selection

Note: Power vent models do not have a Continuous Pilot option.

With the system in "OFF" position press the Mode Key (fig. 1) to index to the CPI mode icon (fig. 19 & 20). Pressing the Up Arrow Key will activate the Continuous Pilot Ignition mode (CPI). Pressing the Down Arrow Key will return to IPI. A single "beep" will confirm the reception of the command.

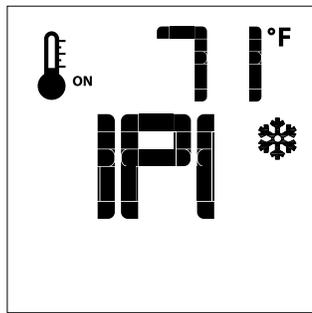


Figure 19

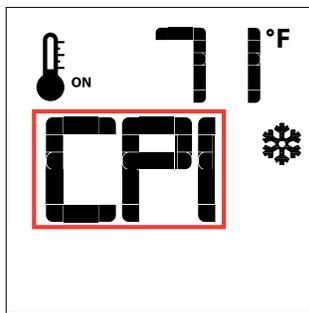


Figure 20

CPI/IPI Switch

This appliance comes equipped with a CPI/IPI switch. The functions of both the CPI/IPI switch are as follows:

Continuous pilot (CPI) - A pilot that when in operation, is intended to remain continuously ignited until it is manually interrupted.

Intermittent pilot (IPI) - A pilot that is automatically ignited when an appliance is called on to operate and which remains continuously ignited during each period of main burner operation. The pilot is automatically extinguished when each main burner operating cycle is completed. The mode of the fireplace is easily changed from an intermittent pilot ignition system (IPI) to a continuous pilot ignition system (CPI) by using remote control as noted above.

The benefits of having as CPI are as follows:

- Keeps venting primed for trouble free start-up under colder weather conditions or inversions.
- Keeps the unit glass warm, which decreases the amount of condensation on start-up
- Provides owners with flexibility to choose a traditional continuous pilot. The primary benefit of having the IPI function is a significant savings on fuel as the pilot will only run when there is a call for heat.

Thermostat Icon: If the thermostat icon is not present on the remote transmitter, follow instructions noted below:

1. Remove one battery from the remote.
2. Press and hold down the Thermostat button on the remote.
3. Reinstall the battery (removed in Step 1) while still holding down thermostat button.
4. If you see "**Set**" the thermostat option is now enabled. If you see "**Clr**" the thermostat option is now disabled.
5. Repeat the procedure if the "**Set**" or "**Clr**" to remove or add the option back to the remote did not appear.

Enable all other functions if not present on the remote transmitter, follow instructions noted below:

1. Remove one battery from remote.
2. Press and hold both the **ON/OFF** and **MODE** button at the same time .
3. Reinstall battery removed in Step 1 while holding both buttons—keep holding buttons, then release the **MODE** button only.
4. The screen will show either "**Clr**" or "**Set**" as the first option available is to disable or enable a mode.

5. "**Clr**" will remove a mode—use the up or down arrow while holding down **ON/OFF** and **MODE** (mode icon will disappear once removed).
6. Use the "**MODE**" button to move to the next function.
7. "**Set**" will add a mode —use the up or down arrow while holding down **ON/OFF** and **MODE** (mode icon will appear when added).
8. Use the "**MODE**" button to move to the next function.

Note: You should never program out the fan (if installed) or CPI/IPI mode on the remote.

Key Lock

This function will lock the keys to avoid unsupervised operation. To activate this function, press the MODE and UP Keys at the same time (fig. 21).

To de-activate this function, press the MODE and UP Keys at the same time.

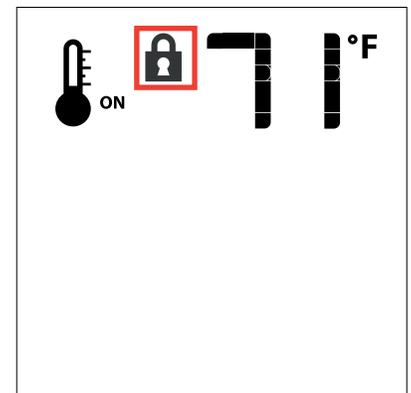


Figure 21

Low Battery Power Detection

Transmitter

The life span of the remote control batteries depends on various factors: quality of the batteries used, the number of ignitions of the appliance, the number of changes to the room thermostat set point, etc.

When the Transmitter batteries are low, a Battery Icon will appear on the LCD display of the Transmitter (Fig. 22) before all battery power is lost. When the batteries are replaced this Icon will disappear.

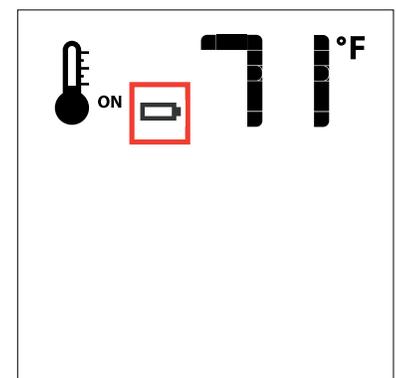


Figure 22

Proflame II Battery Holder Battery Replacement & Battery Pack Up if 120 Volt Power is lost

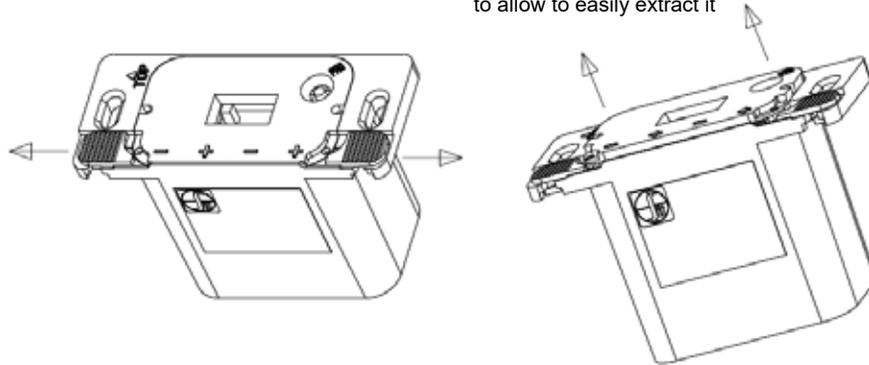
How to replace/add the batteries on battery holder (Proflame 2).

Note : If a wall switch cover plate is installed, first remove cover plate by removing 2 small phillips head screws

STEP 1

Move both the left/right slides as shown below.

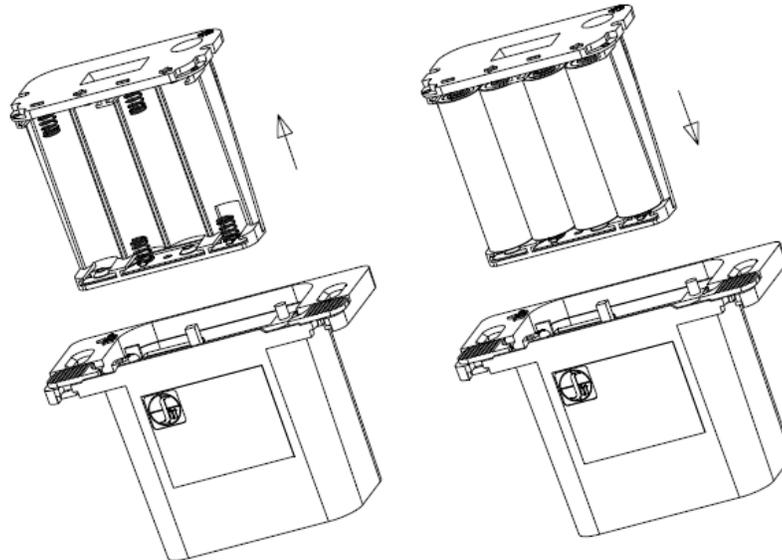
The battery compartment will be pushed out slightly, to allow to easily extract it



STEP 2

Extract the battery compartment from the remote receiver/battery holder

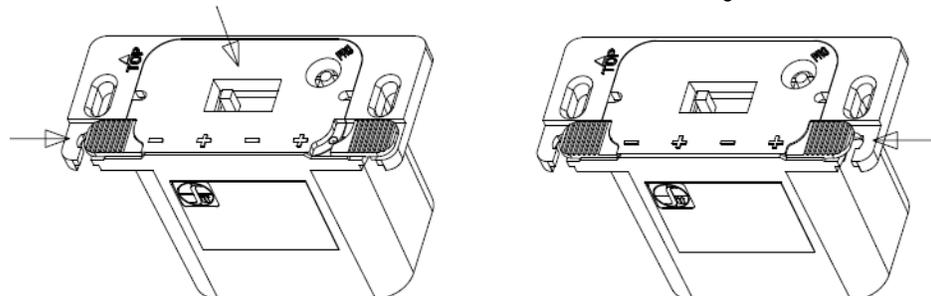
Replace 4 x AA batteries and insert the battery compartment back into remote receiver/battery holder



STEP 3

Keeping the battery compartment pressed in, close the left slide

Close the right slide



STEP 4 Reinstall wall cover plate with 2 Phillips head screws.

MA Code - CO Detector (for the State of Massachusetts only)

5.08: Modifications to NFPA-54, Chapter 10

(2) Revise 10.8.3 by adding the following additional requirements:

(a) For all side wall horizontally vented gas fueled equipment installed in every dwelling, building or structure used in whole or in part for residential purposes, including those owned or operated by the Commonwealth and where the side wall exhaust vent termination is less than seven (7) feet above finished grade in the area of the venting, including but not limited to decks and porches, the following requirements shall be satisfied:

1. **INSTALLATION OF CARBON MONOXIDE DETECTORS.** At the time of installation of the side wall horizontal vented gas fueled equipment, the installing plumber or gasfitter shall observe that a hard wired carbon monoxide detector with an alarm and battery back-up is installed on the floor level where the gas equipment is to be installed. In addition, the installing plumber or gasfitter shall observe that a battery operated or hard wired carbon monoxide detector with an alarm is installed on each additional level of the dwelling, building or structure served by the side wall horizontal vented gas fueled equipment. It shall be the responsibility of the property owner to secure the services of qualified licensed professionals for the installation of hard wired carbon monoxide detectors

a. In the event that the side wall horizontally vented gas fueled equipment is installed in a crawl space or an attic, the hard wired carbon monoxide detector with alarm and battery back-up may be installed on the next adjacent floor level.

b. In the event that the requirements of this subdivision can not be met at the time of completion of installation, the owner shall have a period of thirty (30) days to comply with the above requirements; provided, however, that during said thirty (30) day period, a battery operated carbon monoxide detector with an alarm shall be installed.

2. **APPROVED CARBON MONOXIDE DETECTORS.** Each carbon monoxide detector as required in accordance with the above provisions shall comply with NFPA 720 and be ANSI/UL 2034 listed and IAS certified.

3. **SIGNAGE.** A metal or plastic identification plate shall be permanently mounted to the exterior of the building at a minimum height of eight (8) feet above grade directly in line with the exhaust vent terminal for the horizontally vented gas fueled heating appliance or equipment. The sign shall read, in print size no less than one-half (1/2) inch in size, "**GAS VENT DIRECTLY BELOW. KEEP CLEAR OF ALL OBSTRUCTIONS**".

4. **INSPECTION.** The state or local gas inspector of the side wall horizontally vented gas fueled equipment shall not approve the installation unless, upon inspection, the inspector observes carbon monoxide detectors and signage installed in accordance with the provisions of 248 CMR 5.08(2)(a)1 through 4.

(b) **EXEMPTIONS:** The following equipment is exempt from 248 CMR 5.08(2)(a)1 through 4:

1. The equipment listed in Chapter 10 entitled "Equipment Not Required To Be Vented" in the most current edition of NFPA 54 as adopted by the Board; and

2. Product Approved side wall horizontally vented gas fueled equipment installed in a room or structure separate from the dwelling, building or structure used in whole or in part for residential purposes.

(c) **MANUFACTURER REQUIREMENTS - GAS EQUIPMENT VENTING SYSTEM PROVIDED.** When the manufacturer of Product Approved side wall horizontally vented gas equipment provides a venting system design or venting system components with the equipment, the instructions provided by the manufacturer for installation of the equipment and the venting system shall include:

1. Detailed instructions for the installation of the venting system design or the venting system components; and

2. A complete parts list for the venting system design or venting system.

(d) **MANUFACTURER REQUIREMENTS - GAS EQUIPMENT VENTING SYSTEM NOT PROVIDED.** When the manufacturer of a Product Approved side wall horizontally vented gas fueled equipment does not provide the parts for venting the flue gases, but identifies "special venting systems", the following requirements shall be satisfied by the manufacturer:

1. The referenced "special venting system" instructions shall be included with the appliance or equipment installation instructions; and

2. The "special venting systems" shall be Product Approved by the Board, and the instructions for that system shall include a parts list and detailed installation instructions.

(e) A copy of all installation instructions for all Product Approved side wall horizontally vented gas fueled equipment, all venting instructions, all parts lists for venting instructions, and/or all venting design instructions shall remain with the appliance or equipment at the completion of the installation.

Important Message

SAVE THESE INSTRUCTIONS

The ULTIMATE Direct Vent Freestanding Gas Stove must be installed in accordance with these instructions. Carefully read all the instructions in this manual first. Consult the building authority having jurisdiction to determine the need for a permit prior to starting the installation.

Note: Failure to follow the instructions could cause a malfunction of the heater which could result in death, serious bodily injury, and/or property damage. Failure to follow these instructions may also void your fire insurance and/or warranty.

Note: These instructions take precedence over Simpson Dura-Vent instructions.

Specifications

Fuels: U39E-NG12 is approved for use with natural gas.

U39E-LP12 is approved for use with liquefied petroleum gases (propane).

Electrical: 115V A.C. system.

Circulation Fan: Variable speed, 125/75.

Log Sets: Ceramic fibre, 7 per set.

Vent System: Coaxial (6-5/8" outer / 4" inner liner) rigid flue and termination cap.

Information For Mobile/Manufactured Homes After First Sale

This Regency® product has been tested and listed by Warnock Hersey/Intertek as a Direct Vent Wall Furnace to the following standards: CSA 2.17 and ANSI Z21.88/CSA 2.33.

This Direct Vent System Appliance must be installed in accordance with the manufacturer's installation instructions and the Manufactured Home Construction and Safety Standard, Title 24 CFR, Part 3280, or the current Standard of Fire Safety Criteria for Manufactured Home Installations, Sites, and Communities ANSI/NFPA 501A, and with CAN/CSA Z240-MH Mobile Home Standard in Canada.

This appliance installation must comply with the manufacturer's installation instructions and local codes, if any. In the absence of local codes follow the current National Fuel Gas Code, ANSI Z223.1 and the current National Electrical Code ANSI/NFPA 70 in the U.S.A., and the current CSA B149 .1 Gas Installation Code and the current Canadian Electrical Code CSA C22.1 in Canada.

This Regency® Mobile/Manufactured Home Listed appliance comes factory equipped with a means to secure the unit.

This Regency® Mobile/Manufactured Home listed appliance comes equipped with a dedicated #8 ground lug to which an 18 gauge copper wire from the steel chassis ground must be attached.

This appliance may only be installed in an aftermarket permanently located, manufactured (mobile) home, where not prohibited by local codes.

This appliance is only use with the type of gas indicated on the rating plate. This appliance is not convertible for use with other gases, unless a certified kit is used.

1. Provide adequate clearances for servicing, proper operation and around the air openings into the combustion chamber.
2. The appliance may be installed on a flat, solid, continuous surface (e.g. wood, metal, concrete). This may be the floor, or it can be raised up on a platform to enhance its visual impact. The appliance may be installed on carpeting, tile, wood flooring or other combustible material, because the appliance's metal pedestal base extends the full width and depth of the appliance. The ULTIMATE Direct Vent Freestanding Gas Stove can be installed in a wide variety of ways and will fit nearly any room layout. It may be installed in a recessed position, framed out into the room, or across a corner.
3. The ULTIMATE Direct Vent Freestanding Gas Stove is approved for alcove installations, which meet the clearances as listed in the "Locating Your Ultimate Gas Stove" section. This unit is approved for manufactured home installations, see "Rigid Pipe Venting Arrangements" section for the required vent arrangements. If installed into a manufactured home the unit must be bolted down to the floor.
4. This appliance is Listed for bedroom installations when used with a Listed Millivolt Thermostat. Some areas may have further requirements, check local codes before installation.
5. This appliance is Listed for Alcove installations, maintain minimum Alcove clearances as follows, minimum width of 48" (1219mm), a maximum depth of 36" (914mm), and minimum ceiling height of 64"(1626mm).
6. We recommend that you plan your installation on paper using exact measurements for clearances and floor protection before actually installing this appliance. Have a qualified building inspector review your plans before installation.

installation

General Safety Information

1. The appliance installation must conform with local Canadian Electrical Code.
2. The appliance when installed, must be electrically grounded in accordance with local codes, or in the absence of local codes with the current National Electrical Code, ANSI/NFPA 70 or CSA C22.1 Canadian Electrical Code.
3. The appliance should be inspected for shipping damage before use and **serviced annually by a professional service person**. More frequent cleaning may be required due to excessive lint from carpeting, bedding material, etc. It is imperative that control compartments, and circulating air passageways of the appliance be kept clean and free from excessive lint from carpeting.
4. See general construction and assembly instructions. The appliance and vent should be enclosed when installed in or passing through a living area, where children may come in contact with it.
5. This appliance must be connected to the specified vent and termination cap to the outside of the building envelope. Never vent to another room or inside a building. Make sure that the vent is fitted as per the instructions starting in "Locating Your Ultimate Gas Stove" section.
6. Inspect the venting system annually for blockage and any signs of deterioration.
7. Venting terminals shall not be recessed into a wall or siding.
8. Any safety glass removed for servicing must be replaced prior to operating the appliance.
9. To prevent injury, do not allow anyone who is unfamiliar with the operation to use the fireplace.

Installation Checklist

1. Loate your appliance. Refer to the following sections:
 - a. Locating Your Ultimate Gas Stove
 - b. Exterior Vent Termination Locations
 - c. Clearance to Combustibles
 - d. Combustion and Ventilation Air
2. Install Louvers. Refer to the "Louver Installation" section.
3. Choose a venting option and install accordingly. Refer to the following sections where applicable:
 - a. DV Stove Horizontal Vent Kit Installation
 - b. Dura-Vent Termination Kit
 - c. Converting a Class-A Metal Chimney to a Direct Vent system.
4. Install 4-AA batteries into receiver. This will enable operation of appliance manually when in "ON" position.
5. Make gas connections. Refer to "Gas Connection" section.

Test the pilot. Must be as per diagram. Refer to "Pilot Adjustment" section.
6. If necessary, see the "Conversion from NG to LPG" section and "Conversion to Lower BTU Rating" section.
7. Test Gas Pressure. Refer to "Gas Pipe Pressure Testing" section .
8. Install standard and optional features. Refer to the following sections where applicable:
 - a. Log Set
 - b. Front Door
 - c. Wall Thermostat
 - d. Remote Control
 - e. Safety Screen
 - f. Louver Installation
 - g. 4-AA batteries into battery box (Optional)
Used if there is a power outage.
9. Final check. Refer to the "Final Check" section.

Before leaving this unit with the customer, the installer must ensure that the appliance is firing correctly and **operation fully explained to customer**.

This includes:

1. Clocking the appliance to ensure the correct firing rate (rate noted on label) after burning appliance for 15 minutes.
2. If required, adjusting the primary air to ensure that the flame does not carbon. First allow the unit to burn for 15-20 min. to stabilize.

CAUTION: Any alteration to the product that causes sooting or carboning that results in damage is not the responsibility of the manufacturer.

Clearances To Combustibles

The clearances listed are MINIMUM distances. Measure the clearance to both the appliance and the chimney connector. **The farthest distance is correct if the two clearances do not coincide.**

For example, if the appliance is set as indicated in one of the figures but the connector is too close, move the stove until the correct clearance to the connector is obtained.

This appliance may be installed only with the clearances as shown in the situations pictured. **Do not combine clearances from one type of installation with another in order to achieve closer clearances.**

This unit can be installed on a solid combustible surface like a wood floor. This unit can also be installed directly on carpeting or vinyl when the bottom pedestal cover plate (provided with unit) is installed.

Use the minimum clearances shown in the diagrams below:

U39E-NG12/U39E-LP12 Clearances

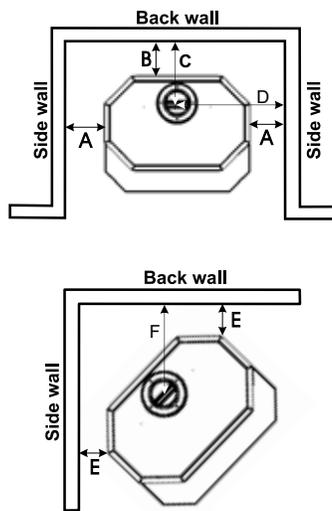
A Side Wall to Unit	7-1/2" / 190 mm
B Back Wall to Unit	6" / 150 mm
E Side Wall to Unit	2" / 50 mm

U39E-NG12 & U39E-LP12 Reference Dimensions

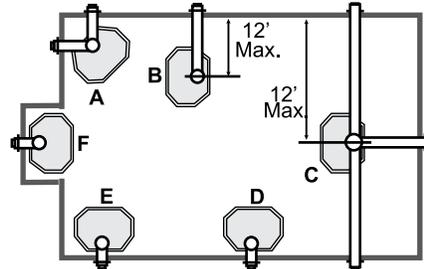
C Back Wall to Flue Centerline	11"/280 mm
D Side Wall to Flue Centerline	20-1/2"/521 mm
F Side Wall to Flue Centerline	11"/280 mm

Minimum ceiling height is 36" / 914 mm from top of unit.

Vent pipe clearances to combustibles 1-1/4" (32mm)



- A) Cross Corner
- B) Room Divider
- C) Island
- D) Flat on Wall
- E) Flat on Wall Corner
- F) Flush with Wall/ Alcove



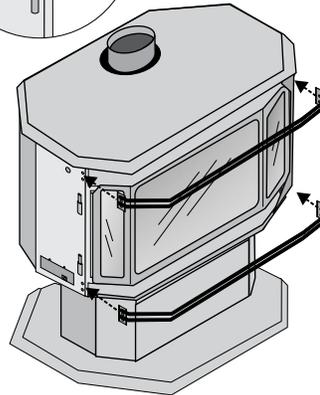
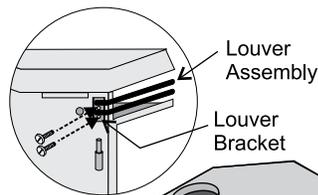
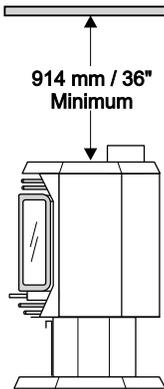
For Vent Termination requirements, see "Exterior Vent termination Locations" section.

Louver Installation

Attach the top & bottom louvers to the side stove panel using 2 screws per side.

Minimum ceiling height is 36"/914mm from top of unit.

914 mm / 36" Minimum



Manufactured Mobile Home Additional Requirements

1. Ensure that structural members are not cut or weakened during installation.
2. Ensure proper grounding using the #8 ground lug provided.
3. Appliance must be anchored to the floor with the supplied anchoring methods.

Locating Your Ultimate Gas Stove

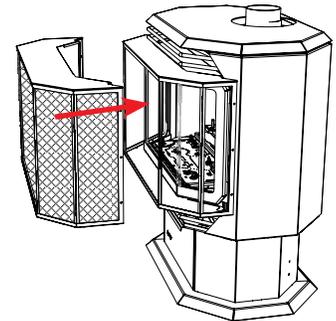
When selecting a location for your stove, ensure that the clearances listed above are met as well as ensuring that there is adequate accessibility for servicing and proper operation.

Combustion And Ventilation Air

The combustion air from this appliance is drawn from outside the building through the outer flue. **Extra provision for combustion air inside the room is not required.**

Safety Screen Installation

1. Attach the safety screen by placing screen over the glass door.
2. To remove, lift up slightly and pull away from unit.



Venting Introduction

The DV Stove Horizontal Vent Kit and the Simpson Dura-Vent Direct Vent, venting systems, in combination with the ULTIMATE Direct Vent Freestanding Gas Stove, U39E-NG12, and U39E-LP12, have been tested and listed as direct vent heater systems by Warnock Hersey/Intertek. If converting a Class-A Metal Chimney to a Direct Vent system, see instructions in "Converting a Class-A Metal Chimney to a Direct Vent System" section.

These units use the "balanced flue" technology Co-Axial system. The inner liner vents products of combustion to the outside while the outer pipe draws outside combustion air into the combustion chamber thereby eliminating the need to use heated room air for combustion and losing warm room air up the chimney.

Note: These flue pipes must not be connected to any other appliance.

The gas appliance and vent system must be vented directly to the outside of the building, and never be attached to a chimney serving a separate solid fuel or gas burning appliance. Each direct vent gas appliance must use its own separate vent system. Common vent systems are prohibited.

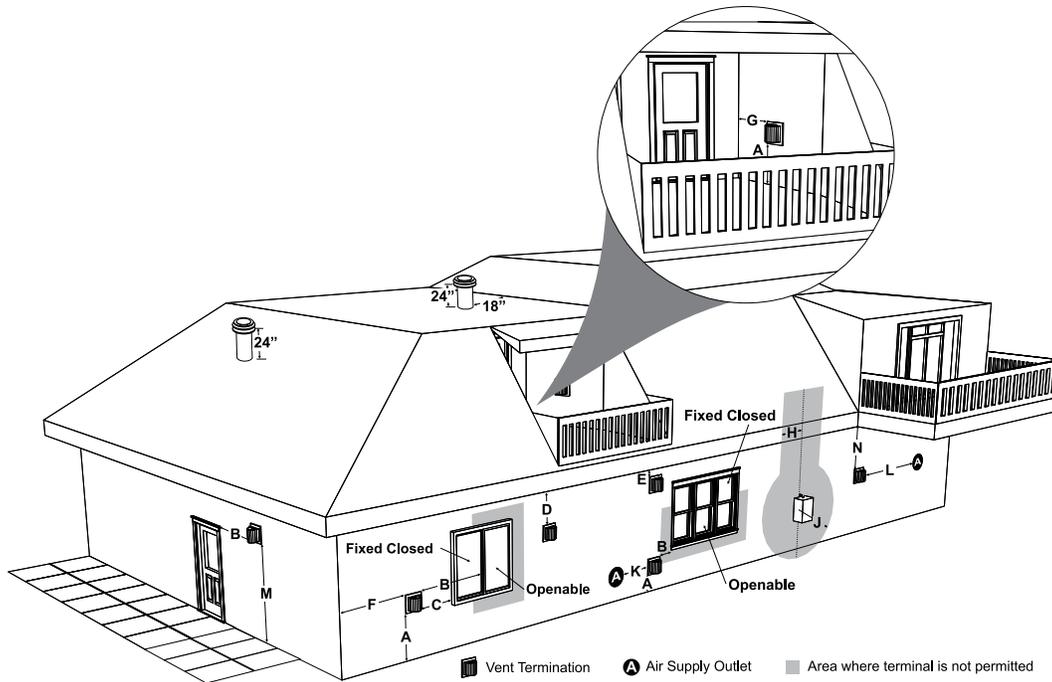
IMPORTANT

Read all instructions carefully before starting the installation. Failure to follow these instructions may create a fire or other safety hazard, and will void the warranty. Be sure to check the venting and clearance to combustibles requirements. Consult your local building codes before beginning installation.

The location of the termination cap must conform to the requirements in the "Exterior Vent Terminal Locations" section.

installation

Exterior Vent Terminal Locations



	Minimum Clearance Requirements	Canada ¹	USA ²
A	Clearance above grade, veranda, porch, deck, or balcony	12"(30cm)	12"(30cm)
B	Clearance to window or door that may be opened	12"(30cm)	9" (23cm)
C	Clearance to permanently closed window	*	*
D	Vertical clearance to ventilated soffit located above the terminal within a horizontal distance of 2 feet (61cm) from the center line of the terminal (check with the local code)	18"(46cm)	18"(46cm)
E	Clearance to unventilated soffit	12"(30cm)	12"(30cm)
F	Clearance to outside corner: with AstroCap Termination Cap.	6"(15cm)	6"(15cm)
	Clearance to outside corner: with all other approved Termination Caps.	12"(30cm)	12"(30cm)
G	Clearance to inside corner: with AstroCap Termination Cap	6"(15cm)	6"(15cm)
	Clearance to inside corner: with all other approved Termination Caps.	12"(30cm)	12"(30cm)
H	Clearance to each side of center line extended above meter/regulator assembly	36"(90cm) ^a	*
J	Clearance to service regulator vent outlet	36"(90cm)	*
K	Clearance to non-mechanical air supply inlet to building or the combustion air inlet to any other appliance	12"(30cm)	9" (23cm)
L	Clearance to a mechanical air supply inlet - 3' (91cm) above if within 10' (3m) horizontally.	72"(1.8m)	36"(90cm) ^b
M	Clearance above paved sidewalk or a paved driveway located on public property	84"(2.1m) [†]	*
N	Clearance under veranda, porch, deck, or balcony	12"(30cm) [‡]	*

¹ In accordance with current CSA B149.1, *Natural Gas and Propane Installation Code*

² In accordance with the current ANSI Z223.1/NFPA 54, *National Fuel Gas Code*

[†] A vent shall not terminate directly above a sidewalk or paved driveway which is located between two single family dwellings and serves both dwellings

[‡] Permitted only if veranda, porch, deck, or balcony is fully open on a minimum of two sides beneath the floor

* Clearance in accordance with local installation codes and the requirements of the gas supplier

^a 3 feet (91cm) within a height of 15 feet (4.5m) above the meter / regulator assembly

^b 3 feet (91cm) above - if within 10 feet (3m) horizontally

4" x 6-5/8" Rigid Pipe Cross Reference Chart

Components from different Manufacturers may not be mixed. Not All Rigid Pipe components are available directly from FPI.

Note: Olympia Ventis DV venting is only approved for certain models. See list of approved models in cross-reference chart.

Description	Simpson Direct Vent Pro®	*Selkirk Direct Temp™	*American Metal Products® Amerivent Direct	*Metal-Fab™ Sure Seal	*Security Secure- Vent®	*ICC Excel Direct	*Olympia Ventis DV***
6" Pipe Length-Galvanized	46DVA-06	4DT-6	N/A	4D6	SV4L6	TC-4DL6	VDV-0406
6" Pipe Length-Black	46DVA-06B	4DT-6B	N/A	4D6B	SV4LB6	TC-4DL6B	VDVB-0406
7" Pipe Length-Galvanized	N/A	N/A	4D7	N/A	N/A	N/A	N/A
7" Pipe Length-Black	N/A	N/A	4D7B	N/A	N/A	N/A	N/A
9" Pipe Length-Galvanized	46DVA-09	4DT-9	N/A	N/A	N/A	TC-4DL9	VDV-0409
9" Pipe Length-Black	46DVA-09B	4DT-9B	N/A	N/A	N/A	TC-4DL9B	VDVB-0409
12" Pipe Length-Galvanized	46DVA-12	4DT-12	4D12	4D12	SV4L12	TC-4DL1	VDV-0412
12" Pipe Length-Black	46DVA-12B	4DT-12B	4D12B	4D12B	SV4LB12	TC-4DL1B	VDVB-0412
18" Pipe Length-Galvanized	46DVA-18	4DT-18	4D18	4D18	SV4LA	TC-4DL18	VDV-0418
18" Pipe Length-Black	46DVA-18B	4DT-18B	4D18B	4D18B	SV4LA	TC-4DL18B	VDVB-0418
24" Pipe Length-Galvanized	46DVA-24	4DT-24	4D24	4D24	SV4L24	TC-4DL2	VDV-0424
24" Pipe Length-Black	46DVA-24B	4DT-24B	4D24B	4D24B	SV4LB24	TC-4DL2B	VDVB-0424
36" Pipe Length-Galvanized	46DVA-36	4DT-36	4D36	4D36	SV4L36	TC-4DL3	VDV-0436
36" Pipe Length-Black	46DVA-36B	4DT-36B	4D36B	4D36B	SV4LB36	TC-4DL3B	VDVCB-0436
48" Pipe Length-Galvanized	46DVA-48	4DT-48	4D48	4D48	SV4L48	TC-4DL4	VDV-0448
48" Pipe Length-Black	46DVA-48B	4DT-48B	4D48B	4D48B	SV4LB48	TC-4DL4B	VDVB-0448
60" Pipe Length-Galvanized	46DVA-60	4DT-60	N/A	N/A	N/A	N/A	N/A
60" Pipe Length-Black	46DVA-60B	4DT-60B	N/A	N/A	N/A	N/A	N/A

Adjustable Length 3"-10"-Galvanized	N/A	N/A	N/A	4DAL	N/A	TC-4DLT	N/A
Adjustable Length 3"-10"-Black	N/A	N/A	N/A	4DALB	N/A	TC-4DLTB	N/A
Adjustable Length 7"-Galvanized	N/A	N/A	4D7A	N/A	N/A	N/A	N/A
Adjustable Length 7"-Black	N/A	N/A	4D7AB	N/A	N/A	N/A	N/A
Extension Pipe 8-1/2"-Galvanized	46DVA-08A	N/A	N/A	N/A	N/A	N/A	N/A
Extension Pipe 8-1/2"-Black	46DVA-08AB	N/A	N/A	N/A	N/A	N/A	N/A
Adjustable Length 12"-Galvanized	N/A	N/A	4D12A	N/A	SV4LA12	TC-4dLSI	N/A
Adjustable Length 12"-Black	N/A	N/A	4D12A	N/A	SV4LBA12	TC-4dLSIB	N/A
Extension Pipe 16"-Galvanized	46DVA-16A	N/A	N/A	N/A	N/A	N/A	N/A
Extension Pipe 16"-Black	46DVA-16AB	N/A	N/A	N/A	N/A	N/A	N/A

45° Elbow-Galvanized	46DVA-E45	4DT-EL45	4D45L	N/A	N/A	TE-4DE45	VDV-EL0445
45° Elbow-Black	46DVA-E45B	4DT-EL45B	4DT-EL45B	N/A	N/A	TE-4DE45B	VDVB-EL0445
45° Elbow Swivel-Galvanized	See 46DVA-E45	N/A	N/A	4D45L	SV4E45	N/A	N/A
45° Elbow Swivel-Black	See 46DVA-E45B	N/A	N/A	4D45LB	SV4EB45	N/A	N/A
90° Elbow-Galvanized	46DVA-E90	4DT-EL90S	4DT-EL90S	N/A	N/A	TE-4DE90	VDV-EL0445
90° Elbow-Black	46DVA-E90B	4DT-EL90SB	4DT-EL90SB	N/A	SV4EBR90-1	TE-4DE90B	VDVB-EL0445
90° Elbow, Swivel-Galvanized	See 46DVA-E90	N/A	N/A	4D90L	SV4E90-1	N/A	N/A
90° Elbow, Swivel-Black	See 46DVA-E90B	N/A	N/A	4D90LB	wSV4EB90-1	N/A	N/A
90° Starter Elbow, Swivel-Galvanized	N/A	N/A	N/A	4D90A	N/A	N/A	N/A
Adaptor*	N/A	N/A	N/A	4D90L	N/A	N/A	VDV-AAA04

Ceiling Support	N/A	4DT-CS	4DSP	4DFSP	SV4SD	TM4-RDS	VDV-SCR04
Cathedral Support Box	46DVA-CS	4DT-CSS	4DRSB	4DRS	SV4CSB	TM4-SDS	VDV-CSS04
Wall Support/Band	46DVA-WS	4DT-WS/B	4DWS	4DWS	SV4BM	TM-SWS	VDV-WS04
Offset Support	46DVA-ES	4DT-OS	N/A	N/A	SV4SU	TM-SOS	N/A
Wall Thimble-Black	46DVA-WT	4DT-WT	4DWT	4DWT	SV4RSM	N/A	VDV-WPT04
Wall Thimble Cover/Ceiling Support	46DVA-DC	N/A	N/A	N/A	SV4PF	N/A	N/A
Firestop Spacer	46DVA-FS	4DT-FS	4DFSP	4DFS	SV4BF	TM-4CS	VDV-FS04
Trim Plate-Black	N/A	4DT-TP	4DFPB	4DcP	SV4LA	TM-4TP	VDV-WTC04

* Not available from Regency

installation

Description	Simpson Direct Vent Pro®	*Selkirk Direct Temp™	*American Metal Products® Amerivent Direct	*Metal-Fab™ Sure Seal	*Security Secure-Vent®	*ICC Excel Direct	*Olympia Ventis DV***
Attic Insulation Shield 12"	46DVA-IS	N/A	4DAIS12	4DIS	SV4RSA	N/A	VDV-AIS04
Attic Insulation Shield - Cold Climates 36"	N/A	N/A	4DAIS12	N/A	N/A	TM-4AS	N/A
Basic Horizontal Termination Kit (A)	46DVA-KHA	4DT-HKA	4DHTK2	4DHTKA	SV-SHK	TM4-HTK	VDV-KW04
Horizontal Termination Kit (B)	N/A	4DT-HKB	4DHTK1	4DHTKB	SV-HK	TM4-HTK	VDV-K04
Vertical Termination Kit	N/A	4DT-VKC	4DHTK	4DHTK	SV-FK	N/A	N/A
High Wind Vertical Cap	46DVA-VCH	N/A	N/A	N/A	N/A	TM-4VT	VDV-VCHW04
High Wind Horizontal Cap	N/A	N/A	N/A	N/A	N/A	TM-4DHT	N/A
Horizontal Square Termination Cap	46DVA-HC	4DT-HHC	4DHC	4DHT	SV4CHC-1	TM-4HT	VDV-HC04
Vertical Termination Cap	46DVA-VC	4DT-HVC	4DVC	4DVT	SV4CGV-1	N/A	N/A
Storm Collar	46DVA-SC	4DT-SC	4DSC	4DSC	SV4FC	TM-SC	VDV-SC04
Flashing - Flat Roof	46DVA-FF	N/A	N/A	N/A	N/A	N/A	N/A
Adjustable Flashing 0/12-6/12	46DVA-F6	4DT-ST14	4D12S	4DF	SV4STC14	TF-4FA	VDV-F0406
Adjustable Flashing 6/12-12/12	46DVA-F12	4DT-ST36	4D36S	4DF-12	SV4STC36	TF-4FB	VDV-SSO
Vinyl Siding Standoff	46DVA-VSS	4DT-VS	N/A	4DVS	SV4VS	TM-VSS	N/A
Vinyl Siding Shield Plate	N/A	4DT-VSP	N/A	N/A	SV4VS	N/A	N/A
Snorkel Termination 14"	46DVA-SNK14	N/A	N/A	N/A	N/A	TM-4ST14	N/A
Snorkel Termination 36"	N/A	N/A	N/A	N/A	N/A	TM-4ST36	N/A
Wall Firestop	46DVA-WFS	N/A	N/A	N/A	N/A	TM-4TR	VDV-FS04

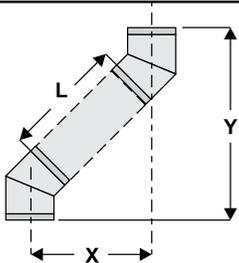
* Not available from Regency

***Olympia Ventis DV application for the following units only when using 4" x 6-5/8" vent system: B36XTE, B36XTCE, all City Series 40 models, CV72E/CB72E (power-vented models only), G600C, G600C-1, G600EC, G800C, G800C-1, G800EC, P36, P36E, and RC500E.

FPI			
946-506/P	Vent Guard (Optional) for AstroCap	946-205	Vinyl Siding Shield for Riser Vent Terminal
**510-994	Rigid Pipe Adaptor (Must use with all rigid piping)	946-208/P	Vent Guard (Optional) for Riser Vent Terminal
640-530/P	Riser Vent Terminal	946-523/P	AstroCap Horizontal Cap
		946-206	Vinyl Siding Standoff for AstroCap

**The rigid pipe adaptor is not required on the C34, C34E, U39, U39E, H15, H27, H35 & RC500E.

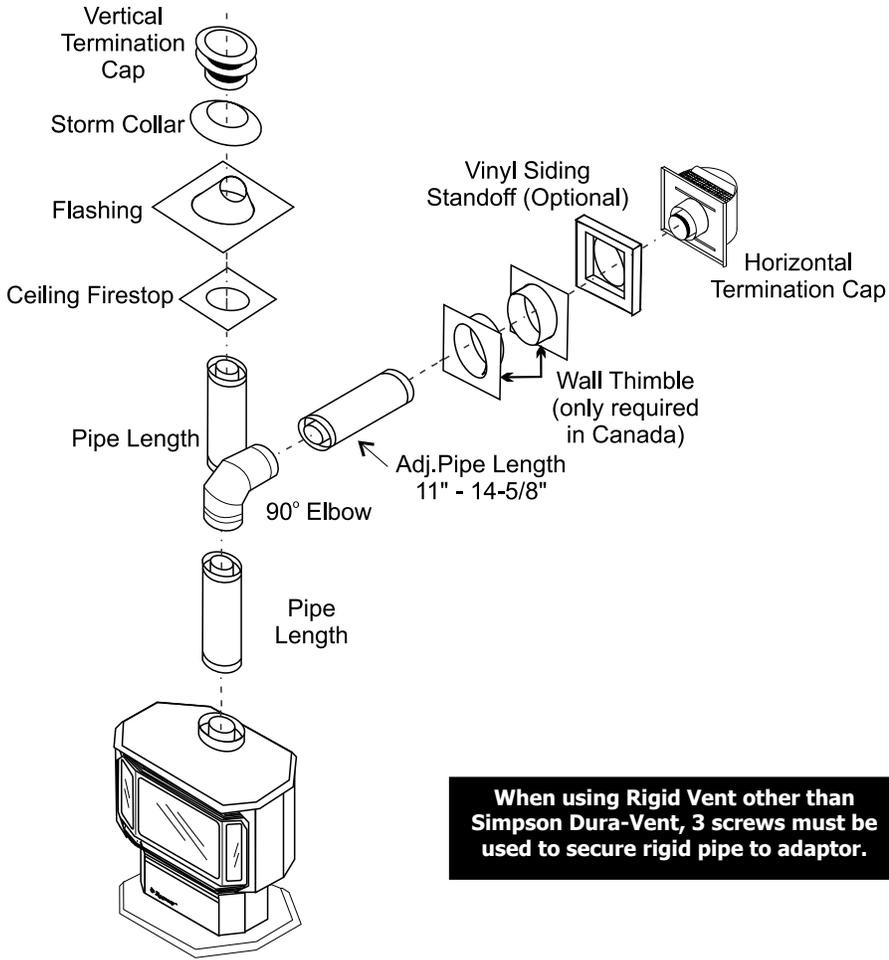
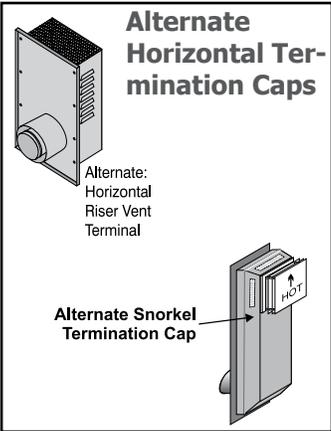
Note: When using Metal-Fab Sure Seal Rigid Piping - please note that the Adaptor (4DDA) must be used in conjunction with FPI Rigid Pipe Adaptor (510-994).

Offset Pipe Selection: Use this table to determine offset pipe lengths.				For specific instructions on venting components - visit the manufacturers website listed below. Simpson Direct Vent Pro: www.duravent.com Selkirk Direct-Temp: www.selkirkcorp.com American Metal Products: www.americanmetalproducts.com Metal-Fab Sure Seal: www.mtlfab.com Security Secure Vent: www.securitychimneys.com Industrial Chimney Company: www.icc-rsf.com Olympia Ventis DV: www.olympiachimney.com
Pipe Length (L)	4" x 6-5/8" Venting			
	Run (X)	Rise (Y)		
0" (0mm)	4-7/8" (124mm)	13-7/8" (340mm)		
6" (152mm)	8" (203mm)	16-1/2" (419mm)		
9" (229mm)	10-1/8" (257mm)	18-5/8" (473mm)		
12" (305mm)	12-1/4" (311mm)	20-3/4" (527mm)		
24" (610mm)	20-5/8" (524mm)	29-1/8" (740mm)		
36" (914mm)	29" (737mm)	37-1/2" (953mm)		
48" (1219mm)	37-7/16" (951mm)	45-15/16" (1167mm)		

Note: Horizontal runs of vent must be level, or have a 1/4" rise for every 1 foot of run towards the termination.
 Never allow the vent to run downward - this could cause high temperatures and may present a possible fire hazard.

Rigid Pipe Venting Systems

Horizontal or Vertical Terminations



WARNING:

Do not combine venting components from different venting systems.

However use of the the AstroCap™ and FPI Riser is acceptable with all systems.

This product has been evaluated by Intertek for using a Rigid Pipe Adaptor in conjunction with Duravent Direct-Vent, Selkirk Direct-Temp, Ameri Vent Direct venting and Security Secure Vent systems. Use of these systems with the Rigid Pipe adaptor is deemed acceptable and does not affect the Intertek WHI listing of components.

When using Rigid Vent other than Simpson Dura-Vent, 3 screws must be used to secure rigid pipe to adaptor.

The FPI AstroCap™ and FPI Riser Vent terminal are certified for installations using FPI venting systems as well as Simpson Dura-Vent® Direct Vent, American Metal Products Ameri Vent Direct Vent, Security Secure Vent®, Selkirk Direct-Temp. AstroCap™ is a proprietary trademark of FPI Fireplace Products International Ltd. Dura-Vent® and Direct Vent are registered and/or proprietary trademarks of Simpson Dura-Vent Co. Inc.

installation

Installation Precautions

These venting systems are engineered products that have been designed and tested for use with the U39E-NG12, and U39E-LP12. The warranty will be voided and serious fire, health or other safety hazards may result from any of the following actions:

1. Installation of any damaged Direct Vent component
2. Unauthorized modification of the Direct Vent System
3. Installation of any component part not manufactured or approved by Simpson Dura-Vent or Fireplace Products International Ltd.
4. Installation other than as instructed by Simpson Dura-Vent and Fireplace Products International Ltd.

Warning: Always maintain required clearances (air spaces) to nearby combustibles to prevent a fire hazard. Do not fill air spaces with insulation.

Be sure to check the vent termination clearance requirements from decks, windows, soffits, gas regulators, air supply inlets and public walkways as specified in the "Exterior Vent Terminal Locations" section in your local building codes.

The gas appliance and vent system must be vented directly to the outside of the building, and never be attached to a chimney serving a separate solid fuel or gas-burning appliance. Each direct vent gas appliance must use its own separate vent system. Common vent systems are prohibited.

Safety Precautions for the Installer

1. Wear gloves and safety glasses for protection.
2. Exercise extreme caution when using ladders or on roof tops.
3. Be aware of electrical wiring locations in walls and ceilings.

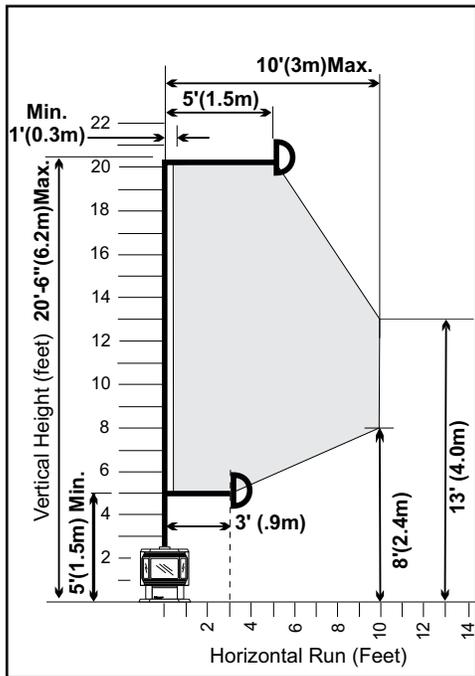
Rigid Pipe Venting Arrangements

Horizontal Terminations for All Venting Systems

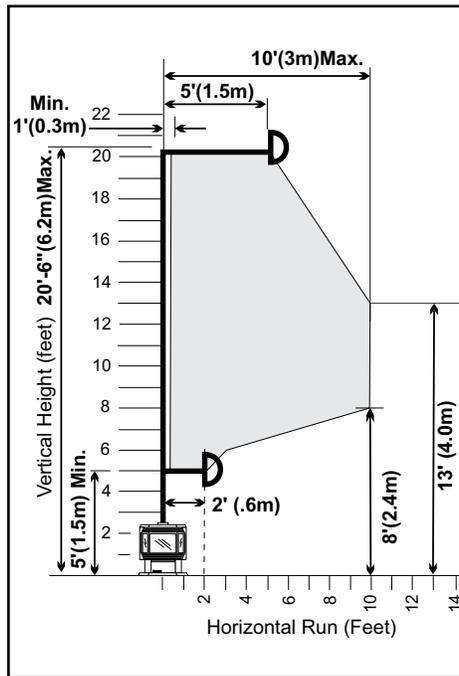
The shaded areas in the diagram below show all allowable combinations of vertical runs with horizontal terminations. Maximum one 90° elbow (two 45° elbows equal one 90° elbow).

**Propane and Natural Gas:
Residential, Manufactured and
Mobile Homes Installations**

May be installed in Manufactured (Mobile) Homes after first sale.



0-4500'
NG - @35,000 Btu/hr #35
LP - @32,500 Btu/hr #51



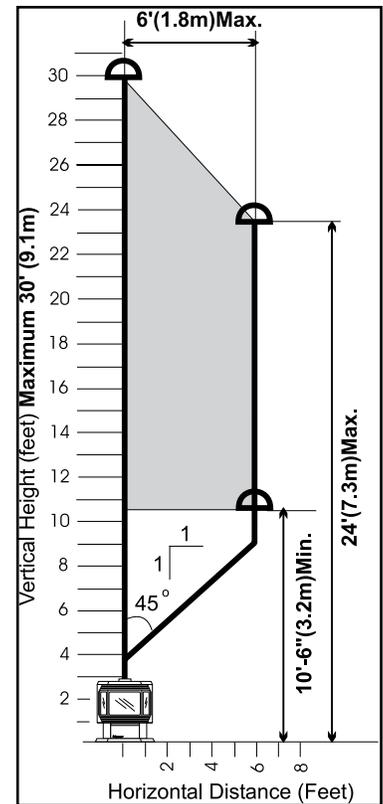
0-2000'
NG - @38,000 Btu/hr #32
LP - @38,000 Btu/hr #49

Vertical Termination Systems for Residential Manufactured and Mobile Homes

The shaded area in the diagram below shows all allowable combinations of straight vertical and offset to vertical runs with vertical terminations. Maximum two 45° elbows.

If the vent is ENCLOSED in a chase (min. size 9" x 9") maintain a 1-1/4" clearance to combustibles.

May be installed in Manufactured (Mobile) Homes after first sale.

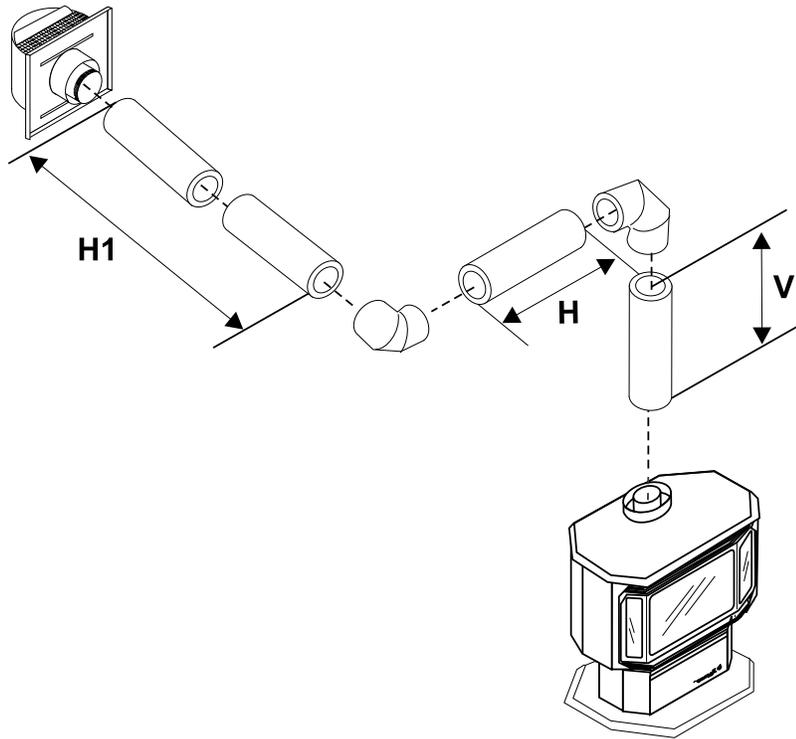


installation

Horizontal Venting with Two (2) 90° Elbows

One 90° elbow = Two 45° elbows		
Op-tion	V	H + H1
A)	3' Min.	2' Max.
B)	5' Min.	3' Max.
C)	8' Min.	4' Max.

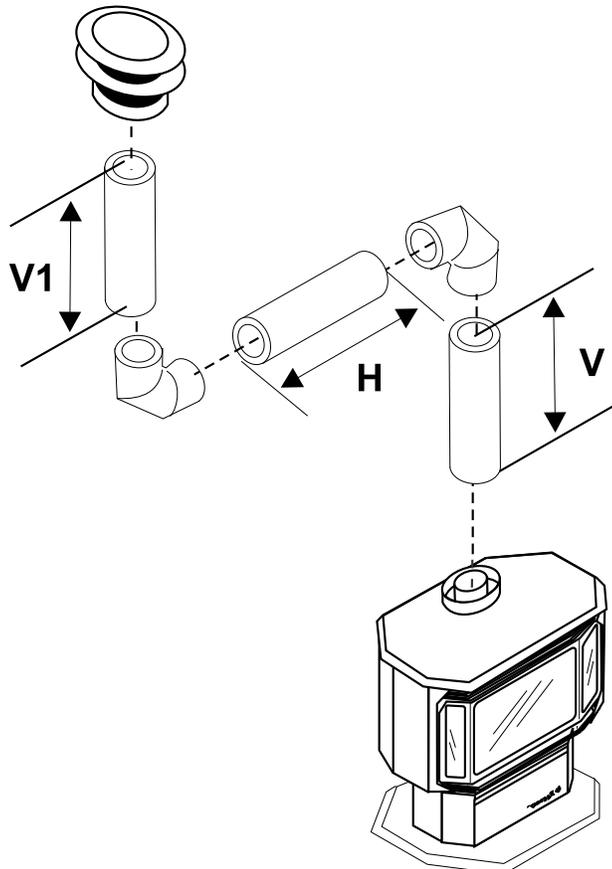
With these options, maximum total pipe length is 30 feet with minimum of 8 feet total vertical and maximum 4 feet total horizontal.
Please note minimum 1 foot between 90° elbows is required.
 Lengths do not include elbow indicated



Vertical Venting with Two (2) 90° Elbows

One 90° elbow = Two 45° elbows				
Op-tion	V	H	V1	V + V1
A)	1' Min.	1' Max.	1' Min.	2' Min.
B)	1' Min.	2' Max.	2' Min.	3' Min.
C)	2' Min.	3' Max.	2' Min.	4' Min.
D)	2' Min.	4' Max.	2' Min.	4' Min.

With these options, max. total pipe length is 30 feet with min. of 4 feet total vertical and max. 4 feet total horizontal.
Please note min. 1 foot between 90° elbows is required.
 Lengths do not include elbow indicated.



DV Stove Horizontal Vent Kit (# 946-116 & #946-216)

DV Stove Horizontal Vent Kit 2 ft. (Part # 946-116) or 4 ft. (Part # 946-216) includes all the parts needed to install the U39E with minimum horizontal and vertical vent dimensions. For installations that require longer vertical and/or horizontal vents see the "Dura-vent Termination Kit" and "Component" sections.

Qty. Description

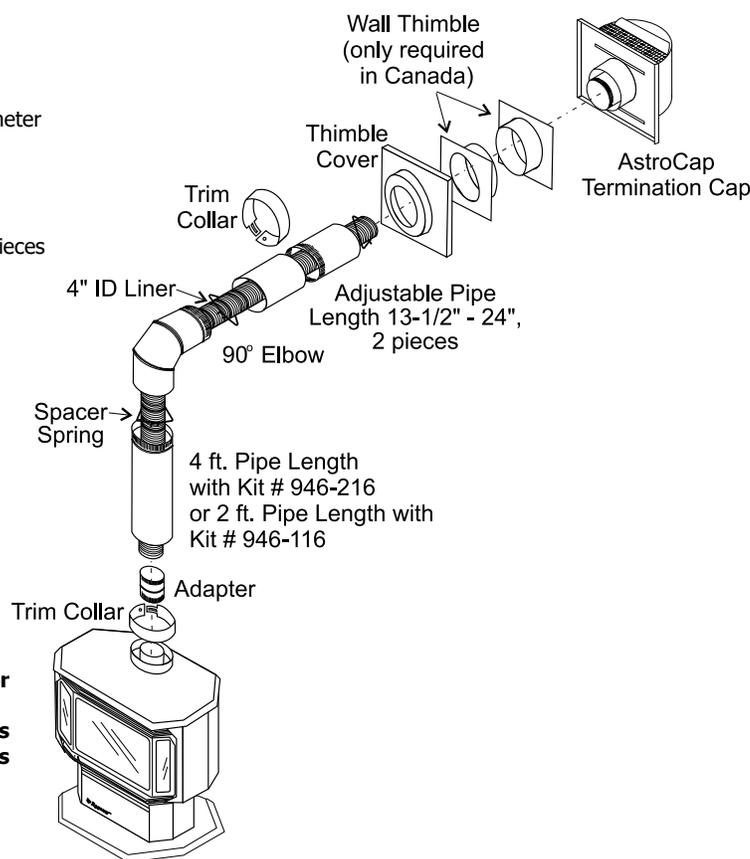
1. 1 Rigid Pipe Section (Kit # 946-116: 2 ft. (1.2m) length, Kit # 946-216: 4 ft. (1.2m) length), 6-1/2" (165mm) inside diameter
2. 1 Flex Liner, compressed aluminium 2 ply liner, 4" (102mm) inside diameter
3. 4 spring spacers
4. 190 deg. Elbow
5. 1 Adjustable pipe section 13-1/2" to 24" (343mm x 610mm), 2 pieces
6. 1 Thimble Cover
7. 1 Wall Thimble (2 pcs.)
8. 1 Adapter
9. 1 **AstroCap** Termination Cap
10. 2 Trim Collar
11. 1 tube of Mill-Pac, high temperature sealant
12. 12 Screws, #8 x 1/2" Self tapping, Stainless Steel
13. 13 Screws, #8 x 1/2" Self tapping, Black
14. 4 Screws #8 x 1-1/2" Drill Point, Black
15. 4 Screws #8 x 1-1/2" Drill Point, Stainless Steel
16. 8 Wood screws #8 x 1"

Optional:

946-206 Vinyl Siding Standoff for **AstroCap**

Note:

- a) Liner sections should be continuous without any joints or seams.
- b) This is an approved system, therefore components in this system must not be substituted for any other manufacturer's products.



DV Stove Horizontal Vent Kit Installation

Review the following sequence of instructions which are typical of most installations. The sequence may vary depending on wall thickness.

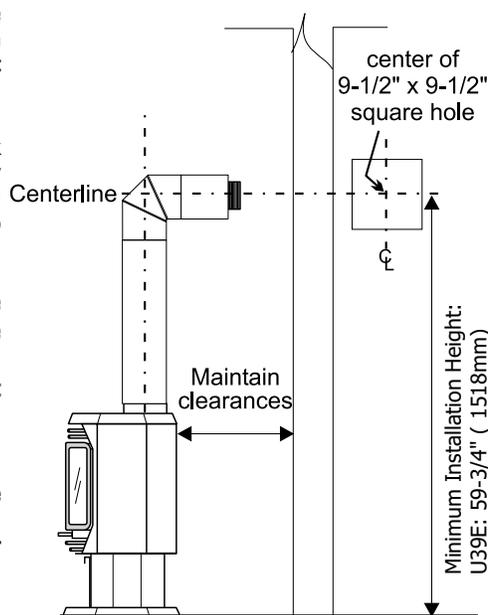
Refer to vent location and clearance dimensions in "Exterior Vent Termination Locations" to "DV Stove Horizontal Vent Kit" sections.

1. Set the unit in its desired location. Check to determine if wall studs will be in the way of the venting system, adjust location until all clearances are met and there are no obstructions.

Note: A 1-1/2" (38mm) clearance around the outer pipe must be maintained except that only a 1" (25mm) clearance is needed at the termination end.

IMPORTANT:

Do not locate termination hood where excessive snow or ice buildup may occur. Be sure to check vent termination area after snow falls, and clear to prevent accidental blockage of venting system. When using



snow blowers, make sure snow is not directed towards vent termination area.

2. Assemble a **trial fit** to determine the vertical center-line for the vent termination.
 - a) Cut a 9-1/2" x 9-1/2" (241mm x 241 mm) square hole on both the interior and exterior wall.
 - b) Install wall thimbles on both interior and exterior wall with 4 wood screws (#8 x 1") per thimble.
 - c) Attach the 2 piece adjustable pipe section to the vent terminal and slide into position from the exterior. The larger diameter end of the adjustable pipe goes to the vent terminal.
 - d) Install the 90° elbow onto the adjustable pipe to determine the vertical centerline of the starter collar on the unit.

Note: if the centerline cannot be met, the adjustable sections will have to

installation

be cut.

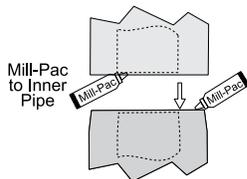
- e) Cut the 2 ft. or 4 ft. section of rigid pipe to length. Ensure that the pipe length when cut will seat onto both the starter collar and the 90° elbow. **Crimped section of rigid pipe seats into the 90° elbow. Only cut the uncrimped side of pipe.**

Dismantle all pipe sections including vent terminal.

3. Attach the 4" dia. flex liner to the vent terminal ensuring that the flex overlaps the collar of the vent terminal by a minimum of 1-3/8" (35mm). Use Mill-Pac to seal and secure with 3 of the #8 x 1/2" screws (stainless steel).

4. Attach the adjustable pipe section to the vent terminal using Mill-Pac and attach with 3 of the #8 x 1/2" screws (stainless steel).

Note: The pipe seam should be facing down.



Note: To make the installation more aesthetically pleasing, we recommend framing out a square that the cap can be mounted on.

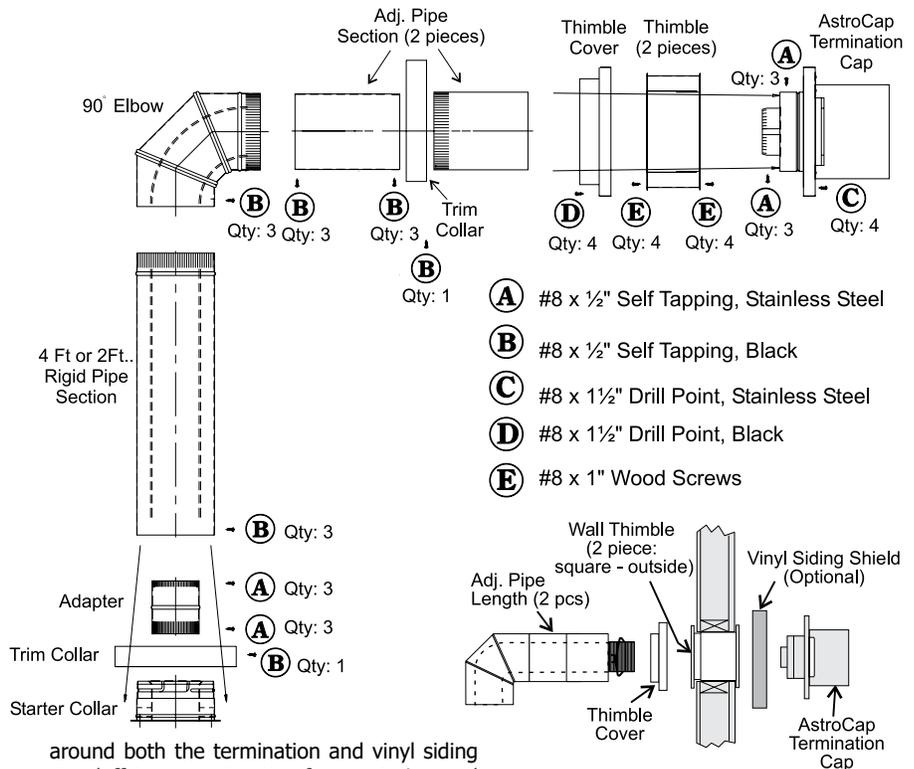
Note: If installing termination on a siding covered wall, a vinyl siding standoff or furring strips must be used to ensure that the termination is not recessed into the siding. For vinyl siding standoff installation refer to the Dura-Vent Termination instructions.



5. Slide the partially connected pipe and vent terminal assembly through the wall thimbles (from the exterior into the interior) and secure the cap to the exterior wall with 4 of the supplied screws (#8 x 1-1/2" drill point, stainless steel). Note: pilot holes will need to be drilled through the wall thimble on all 4 corners.

Note: The four screws provided for the vent cap should be replaced with appropriate fasteners for stucco, brick, concrete, or other types of sidings.

6. A bead of non-hardening mastic should be run



around both the termination and vinyl siding standoff to prevent water from entering and to make a tight seal between the cap and the standoff.

7. Stretch the 4" dia. flex liner out fully and get a trial fit of the liner onto the 4" dia. starter collar.
 8. Cut the 4" dia. flex liner to the desired size.

Hint: leave an extra 12" to 16" of length, this will make the final assembly easier to work with.

9. Secure the 4" dia. flex liner to the 4" adapter with Mill-Pac and 3 of the #8 x 1/2" screws (stainless steel).

10. Slide the decorative Thimble Cover over the pipe sections and secure with 4 screws (#8 x 1-1/2" drill point, black) to the wall.

11. Slide the 90° elbow (crimp end up) and the 2 ft. or 4 ft. pipe section (crimp end up) over the 4" dia. flex liner.

12. Slide the trim collar over the adjustable pipe sections to cover the joint of the telescopic section.

13. Install the spring spacers onto the pipe sections.

14. Secure the 4" dia. flex liner with adapter onto the stove collar. Put a bead of Mill-Pac around the appliance adapter and secure with 3 screws (#8 x 1/2, stainless steel).

15. Attach the pipe section onto the starter collar by sealing with Mill-Pac and securing with 3 of the #8 x 1/2" (black) screws. Pipe seams should be facing the wall.

16. Attach the 90° elbow onto the pipe section by sealing with Mill-Pac and securing with 3 of the #8 x 1/2" screws (black).

17. Slide the adjustable pipe section onto the 90° elbow. The flex may have to be compressed back in order for the adjustable pipe to properly mate to the elbow. Seal with Mill-Pac and secure with 3 of the #8 x 1/2" screws (black). Pipe seams facing down.

18. Install the trim collar over the starter collar and secure with a #8 x 1/2" screw (black).

If the pipe needs to be touched up, use only Stove Brite High Temperature Metallic Black Stove Paint.

NOTE: For best results and optimum performance with each approved venting system, it is highly recommended to apply "Mill-Pac" sealant (supplied) to every inner pipe connection. Failure to do so may result in drafting or performance issues not covered under warranty.

Dura-Vent Termination Kit

Planning Your Dura-Vent Installation

There are two basic types of Dura-Vent Direct Vent System installations: horizontal termination and vertical termination. Confirm the maximum horizontal run and maximum vertical rise from the diagrams in the "Rigid Pipe Venting Arrangements" section.

When planning your installation, it will be necessary to select the proper length of vent pipe for your particular requirements. For horizontal installations, determine the minimum clearance from the rear of the unit to the wall. It is also important to note the wall thickness. (The wall thimble is suitable for 2 x 4 or 2 x 6 wall construction.) Select the amount of vertical rise desired for "vertical-to-horizontal" type installations.

Warning: Always maintain required clearances (air spaces) to nearby combustibles to prevent a fire hazard. Do not fill air spaces with insulation.

The minimum clearance requirements between the outer wall of the vent pipe and nearby combustible surfaces is 1-1/4 inch. Be sure to check the vent termination clearance requirements from decks, windows, soffits, gas regulators, air supply inlets and public walkways as specified in the "Exterior Vent Terminal Locations" section and in your local building codes.

To determine the length of vent pipe required for vertical installations, measure the distance from the unit flue outlet to the ceiling, the ceiling thickness, the vertical rise in an attic or second storey, and allow for sufficient vertical height above the roof line.

For multi-storey applications, fire stops are required at each floor level. If an offset is needed, additional pipe, elbows and supports will be required.

Dura-Vent Venting Components

You will require the following components with your new Regency® Direct Vent Freestanding Gas Stove. Please review your product to make sure you have everything you need. In the event that you are missing any part, contact your dealer.

Note: These are the minimum pieces required. Other parts may be required for your particular installation. See the "Dura-vent Horizontal Kit" section for a list of vent parts.

If installing termination on a siding covered wall, a vinyl siding standoff or furring strips can be used in order to ensure that the termination is not recessed into siding.

The vinyl siding standoff is required for walls with vinyl siding.

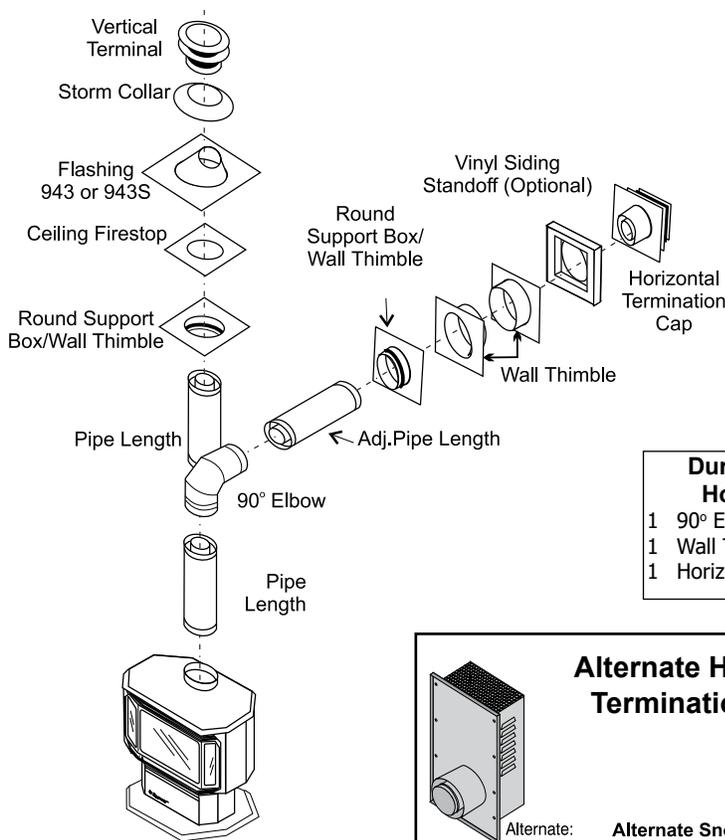
Minimum components for a Dura-Vent Horizontal Installation:

- A) Dura-Vent Horizontal Termination Kit
- B) Wall Thimble (required for combustible walls)

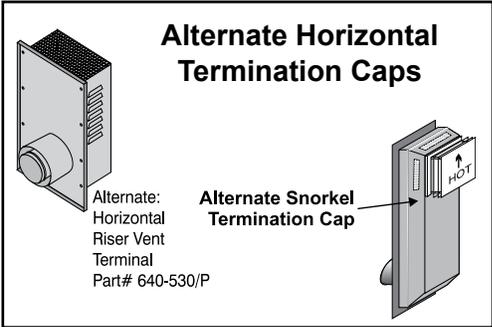
Minimum components for a Dura-Vent Vertical Termination:

- C) Dura-Vent Vertical Termination Kit
- See the "Rigid Pipe Venting Arrangements" section for pipe lengths.

The Simpson Dura-Vent Direct Vent System offers a complete line of component parts for installation of both horizontal and vertical installation. Many items are offered in decorative black, as well as galvanized finish. The galvanized pipe and fittings are used for concealed locations such as attics or where corrosion is a factor, such as above the roof line. Decorative brass trim kits are available for both wall thimbles and ceiling support boxes.



- | Dura-Vent Basic Horizontal Kit | |
|--------------------------------|----------------------|
| 1 | 90° Elbow |
| 1 | Wall Thimble Cover |
| 1 | Horiz. Sq. Term. Cap |

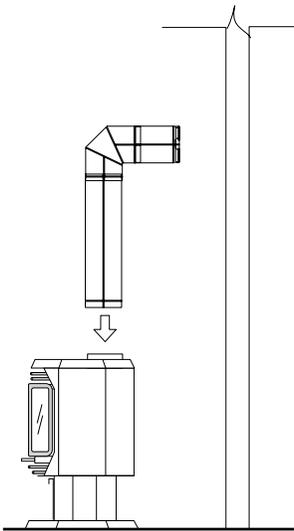


installation

Dura-Vent

Horizontal Terminations

1. Set the unit in its desired location. Check to determine if wall studs or roof rafters are in the way when the venting system is attached. If this is the case, you may want to adjust the location of the unit.
2. Direct Vent pipe and fittings are designed with special twist-lock connections to connect the venting system to the appliance flue outlet. A twist-lock appliance adaptor is installed on the unit at the factory. Assemble the desired combination of pipe and elbows to the appliance adaptor with pipe seams oriented towards the wall or ceiling, as much out of view as possible. The final positioning of the pipe and 90° elbow assembly is determined by the mounting orientation of the adaptor on the stove and twist-locked for a solid connection.



Note:

- a) Twist-lock procedure: Four indentations, located on the female ends of pipes and fittings, are designed to slide straight onto the male ends of adjacent pipes and fittings, by orienting the four pipe indentations so they match and slide in to the four entry slots on the male ends (Diagram 1.. Push the pipe sections completely together, then twist-lock one section clockwise approximately one-quarter turn, until the two sections are fully locked. The female locking lugs will not be visible from the outside on the Black Pipe or fittings. They may be located by examining the inside of the female ends.

NOTE: For best results and optimum performance with each approved venting system, it is highly recommended to apply "Mill-Pac" sealant (supplied) to every inner pipe connection. Failure to do so may result in drafting or performance issues not covered under warranty.

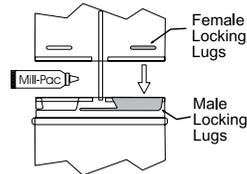


Diagram 1

- b) Horizontal runs of vent must be supported every three feet. Wall straps are available for this purpose.
3. With the pipe attached to the stove, slide the stove into its correct location, and mark the wall for a 10" x 10" (inside dimensions) square hole. The center of the square hole should line up with the centerline of the horizontal pipe, as shown in diagram 2. Cut and frame the 10 inch square hole in the exterior wall where the vent will be terminated. If the wall being penetrated is constructed of non-combustible material, i.e. masonry block or concrete, a 7" diameter hole is acceptable.

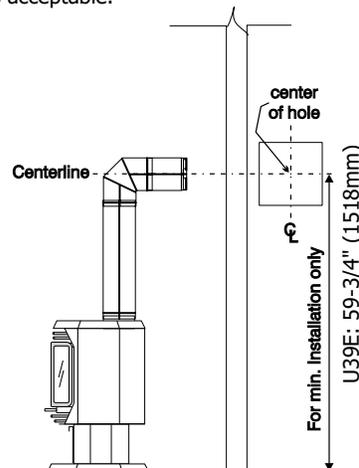


Diagram 2

Note:

- a) The horizontal run of vent should have a 1/4 inch rise for every 1 foot of run towards the termination. Never allow the vent to run downward. This could cause high temperatures and may present the possibility of a fire.
- b) The location of the horizontal vent termination on an exterior wall must meet all local and national building codes, and must not be blocked or obstructed. See instructions in the "External Vent Terminal Locations" section.
- c) **Snorkel Terminations:**
For installations requiring a vertical rise on the exterior of the building, 14-inch and 36-inch tall Snorkel Terminations as shown in Dia. 3 are available, as well as the standard Riser Vent, see Dia. 3a. Follow the same installation procedures as used for standard Horizontal Termination. NEVER install the snorkel upside down.

***Dia 3, 3a & 4: As specified in CSA B149.1 Installation Code. Local codes or regulations may require different clearances.**

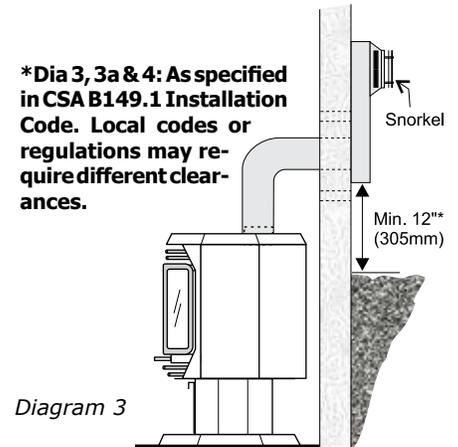


Diagram 3

NOTE: For Snorkel terminations in ABOVE grade installations, follow national or local code requirements.

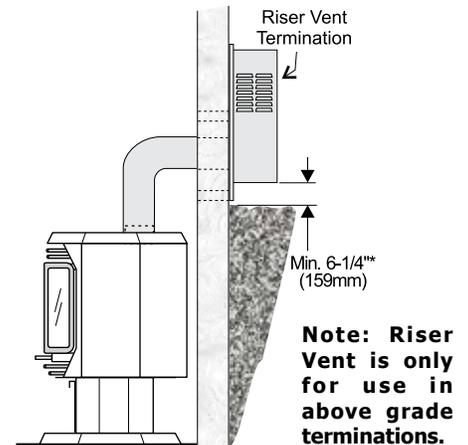


Diagram 3a

Note: Riser Vent is only for use in above grade terminations.

Below Grade Installation

If the Snorkel Termination must be installed below grade, i.e. basement application, proper drainage must be provided to prevent water from entering the Snorkel Termination. Refer to Dia. 4. Do not attempt to enclose the Snorkel within the wall, or any other type of enclosure.

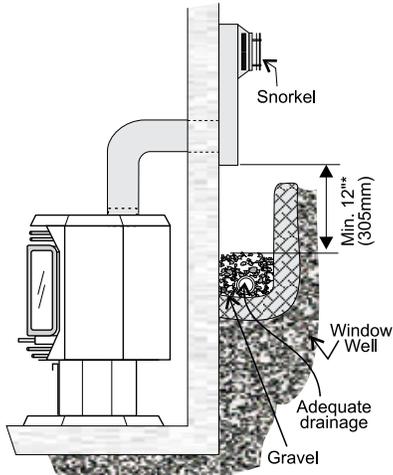


Diagram 4

- If installing the vent termination to a wall with vinyl siding, the Vinyl Siding Standoff must be used. Attach the Vinyl Siding Standoff to the Horizontal Vent Termination, but first run a bead of non-hardening mastic around its outside edges, so as to make a seal between vent cap and the standoff. Install the Vinyl Siding Standoff between the vent cap and the exterior wall and attach with the four wood screws provided. Seal around the Vinyl Siding Standoff on all four sides. Diagram 5. **The arrow on the vent cap should be pointing up.** Insure that the 1-1/4" clearances to combustible materials are maintained. See diagram 5.

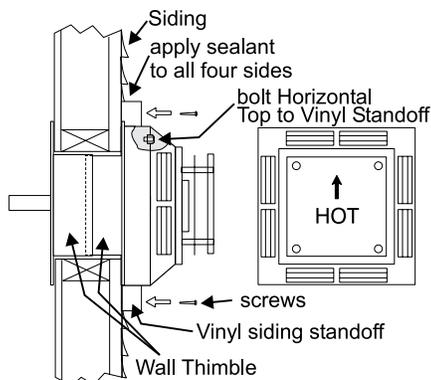


Diagram 5

Note: If installing termination on a siding covered wall, a vinyl siding standoff or furring strips must be used to ensure that the termination is not recessed into the siding. The four wood screws provided should be replaced with appropriate fasteners for stucco, brick, concrete, or other types of sidings.

- Before connecting the horizontal run of vent pipe to the vent termination, slide the black decorative wall thimble cover over the vent pipe, then slide the Wall Thimble over the vent pipe.
- Slide the appliance and vent assembly towards the wall carefully inserting the vent pipe into the vent cap assembly. It is important that the vent pipe extends into the vent cap a sufficient distance so as to result in a minimum pipe overlap of 1-1/4 inches. Secure the connection between the vent pipe and the vent cap by attaching the two sheet metal strips extending from the vent cap assembly into the outer wall of the vent pipe. Use the two sheet metal screws provided to connect the strips to the pipe. Bend any remaining portion of the sheet metal strip back towards the vent cap, so it will be concealed by the decorative wall thimble cover. See diagram 6.

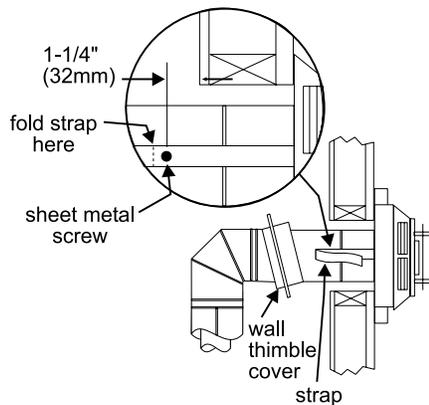


Diagram 6

- Install the Wall Thimble in the center of the 10" square and attach with wood screws.
- Slide the decorative wall thimble up to the wall surface being careful not to scratch the paint and attach with screws provided. Apply decorative brass or chrome trim if desired. See diagram 7.

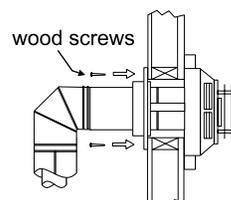


Diagram 7

Dura-Vent Vertical Terminations

- Maintain the 1-1/4" clearances (air spaces) to combustibles when passing through ceilings, walls, roofs, enclosures, attic rafter, or other nearby combustible surfaces. Do not pack air spaces with insulation. Check the "Rigid Pipe Venting Arrangements" section for the maximum vertical rise of the venting system and the maximum horizontal offset limitations.
- Set the gas appliance in its desired location. Drop a plumb bob down from the ceiling to the position of the appliance flue exit, and mark the location where the vent will penetrate the ceiling. Drill a small hole at his point.

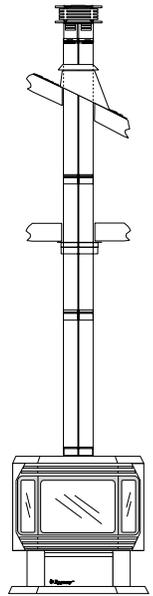


Diagram 8

Next, drop a plumb bob from the roof to the hole previously drilled in the ceiling, and mark the spot where the vent will penetrate the roof. Determine if ceiling joists, roof rafters or other framing will obstruct the venting system. You may wish to relocate the appliance or to offset, as shown in diagram 9 to avoid cutting load bearing members.

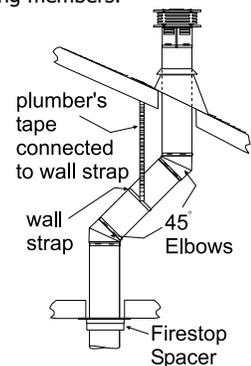


Diagram 9

- To install the Round Support Box/Wall Thimble in a flat ceiling, cut a 10 inch square hole in the ceiling centred on the hole drilled in Step 2. Frame the hole as shown in diagram 10.

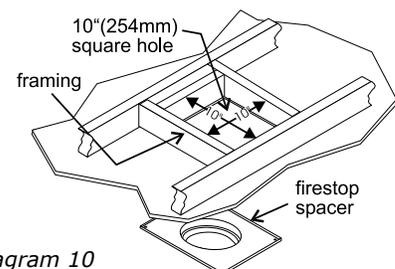


Diagram 10

installation

- Assemble the desired lengths of black pipe and elbows necessary to reach from the appliance adaptor up through the Round Support Box. Insure that all pipes and elbow connections are in the fully twist-locked position and sealed.
- Cut a hole in the roof centred on the small drilled hole placed in the roof in Step 2. The hole should be of sufficient size to meet the minimum requirements for clearance to combustibles of 1-1/4". Slip the flashing under the shingles (shingles should overlap half the flashing) as per diagram 11.
- Continue to assemble pipe lengths.

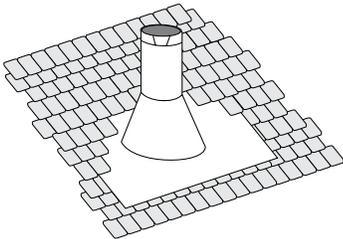


Diagram 11: The upper half of the flashing is installed under the roofing material and not nailed down until the chimney is installed. This allows for small adjustments.

Note: If an offset is necessary in the attic to avoid obstructions, it is important to support the vent pipe every 3 feet, to avoid excessive stress on the elbows, and possible separation. Wall straps are available for this purpose. See diagram 7.

Galvanized pipe and elbows may be utilized in the attic as well as above the roofline. The galvanized finish is desirable above the roofline due to its higher corrosion resistance.

Continue to add pipe sections through the flashing until the height of the vent cap meets the minimum height requirements specified in diagram 12 or local codes. Note that for steep roof pitches, the vertical height must be increased. A poor draft, or down drafting can result from high wind conditions near big trees or adjoining roof lines, in these cases, increasing the vent height may solve the problem.

- Ensure vent is vertical and secure the base of the flashing to the roof with roofing nails, slide storm collar over the pipe section and seal with a mastic.

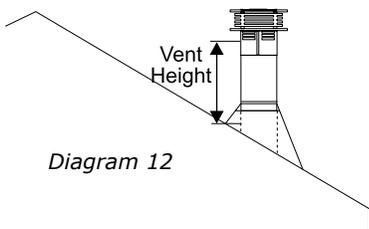


Diagram 12

Roof Pitch	Minimum Vent Height	
	Feet	Meters
flat to 7/12	2	0.61
over 7/12 to 8/12	2	0.61
over 8/12 to 9/12	2	0.61
over 9/12 to 10/12	2.5	0.76
over 10/12 to 11/12	3.25	0.99
over 11/12 to 12/12	4	1.22
over 12/12 to 14/12	5	1.52
over 14/12 to 16/12	6	1.83
over 16/12 to 18/12	7	2.13
over 18/12 to 20/12	7.5	2.29
over 20/12 to 21/12	8	2.44

- Install the vertical termination cap by twist locking it.

Notes:

- For multistory vertical installations, a Ceiling Fire stop is required at the second floor, and any subsequent floor. Diagram 13. The opening should be framed to 10 " x 10" inside dimensions, in the same manner as shown in diagram 10.
- Any occupied areas above the first floor, including closets and storage spaces, through which the vertical vent passes, must be enclosed.

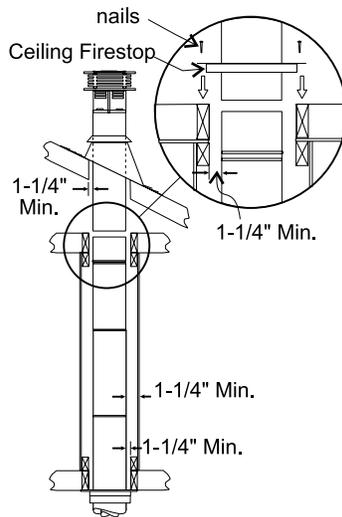
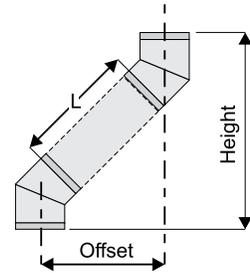


Diagram 13

Offset Chart

GS 6"(152mm) Nominal Diameter ID					
Offset		Pipe Length (L)		Height	
inches	mm	inches	mm	inches	mm
4 3/4	121	0	0	13 1/4	337
9	229	6	152	17 1/2	445
11 1/4	286	9	229	19 1/2	495
13 1/4	337	12	305	21 3/4	552
21 3/4	552	24	610	30 1/4	768
30 1/4	768	36	914	39	991
38	965	48	1219	47	1194



Cathedral Ceilings

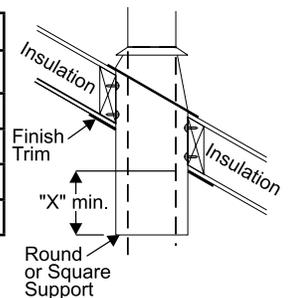
Round Support (RDS) & Square Support (SQS)

If your home has a cathedral ceiling (no attic space between the ceiling and the roof), install the chimney and support as follows.

- Situate the chimney in a convenient location as near as possible to the appliance outlet. Cut and frame a hole in the roof for the support. The sides of this hole must be vertical with 1 1/4" clearance.
- Place the support in the opening. Lower it to the correct height as determined by the table and diagram below.

Using a level, make sure the support is vertical.

Slope	"X"
0/12-2/12	4"
2/12-7/12	5-1/2"
7/12-12/12	6-3/4"
12/12-24/12	7-1/2"
24/12+	12-1/2"



If the support extends above the roof, cut it flush with the top of the roof. Nail the support to the frame opening using (8) 3" spiral nails or #8 x 1-1/2" screws.

Note: If you are using a 6" square support you may find it difficult to screw it in place because it is fairly small inside.

Simpson Dura-Vent has provided angle brackets with this support which can be screwed to the outside of the support box and nailed to surrounding framing as required. Use a minimum of four #8 x 1/2" screws per bracket. In some cases these brackets may need to be trimmed (e.g.: to fit under a flashing). Place the Finish Collar around the support and fasten it to the ceiling using the screws provided.

- Use appropriate roof flashing. Place the flashing under the upper shingles and on top of the lower shingles approximately half of the flashing should be under the shingles.
- Assemble the desired lengths of Black Pipe and Elbows necessary to reach from the appliance adaptor up through the support box and flashing to proper height as per Dia. 12, local codes or the "Rigid Pipe Venting Arrangements" section. Ensure that all pipe and elbow connections are in their fully twist lock position.
- Ensure vent is vertical and secure flashing to the roof with roofing nails. Slide the storm collar over the pipe section and seal with a mastic.
- Twist lock the vent cap on to the last section.

Support Extensions - Round (RDSE) or Square (SQSE)

Steep pitched cathedral ceilings may require the use of a support extension. This piece fits down inside the support and can be adjusted to increase the support's length by up to 22". The extension is attached to the support using the eight metal screws provided. Be sure there is at least a 2 inch overlap where the extension joins the support (CSA 2.17 and ANSI Z21.88/CSA 2.33).

Converting a Class-A Metal Chimney to a Direct Vent System

Approved for US Installations Only
The use of an existing chimney as an air intake is not covered under the CSA 2.17 and ANSI Z21.88/CSA 2.33 test methods and the resulting ITS/WHI product certification. The code Authority Having Jurisdiction must be consulted prior to proceeding with this installation method.

General

Prior to installation and connection of the vent system to a Class A chimney, the chimney must be inspected and thoroughly cleaned by a qualified service person, such as a certified chimney sweep or home inspection service.

The direct vent system must not be connected to a damaged Class A chimney.

For Class A chimneys cleanout doors and caps or plugs for cleanout tee fittings and ash dumps shall be secured in place and sealed before installing a Direct Vent system within the chimney.

If the appliance shuts off during operation, contact a qualified service person to determine if a negative pressure and/or leaky chimney condition exists. Do not operate the appliance until the problem is corrected.

Converting a Factory Built Metal Chimney

- Remove the existing chimney cap.
- Measure the distance from the top end of the chimney to the bottom of the ceiling support box, add 3" (76mm) to this measurement, and cut a section of the 4" flex pipe to that length (the flex should already be extended to its nominal length).

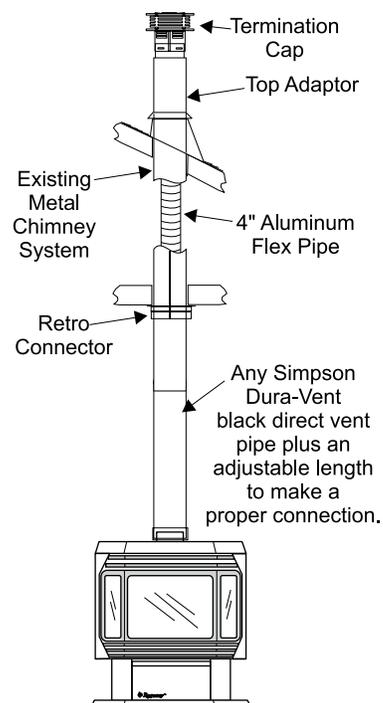


Diagram 1

- Connect the end of the flex pipe section to the underside of the Top Adaptor using 3 sheet metal screws.
- Pass the flex pipe down through the center of the chimney system, and center the adaptor on the top of the chimney pipe. Drill four 1/8" diameter holes through the adaptor and into the chimney top. Insure that you are in fact, drilling into the metal on the chimney. Twist-lock the Termination Cap onto the Adaptor. (Diagram 3 and 4).

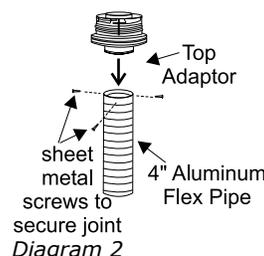


Diagram 2

installation

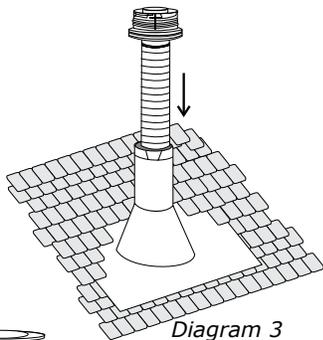


Diagram 3

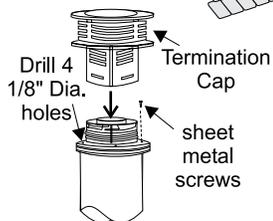


Diagram 4

- Pull the flex pipe down through the ceiling support box, until it protrudes approximately 3" (76mm). Connect the flex pipe to the Retro Connector by slipping it into the 4-3/4" diameter sleeve on the top side of the Connector. Use 3 sheet metal screws to assemble these two parts.
- Push the flex pipe back up into the ceiling support box, center the Retro Connector, and attach it to the support box, or decorative sleeve for double wall solid packed pipe, with the sheet metal screws (supplied). The holes in the Retro Connector are pre-punched. Diagram 5.

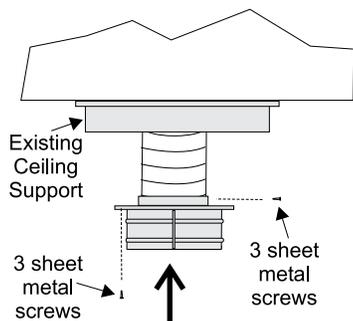


Diagram 5

- The connection between the appliance and the Retro Connector may be completed with sections of black direct vent pipe, together with an adjustable length.

System Data U39E-12	
Altitude for 0 to 2000 feet	
Burner Inlet Orifice Sizes:	
Burner	Natural Gas #32 Propane #49
Max. Input	
Natural Gas	38,000Btu/hr
Propane	38,000Btu/hr
Min. Input	
Natural Gas	26,000Btu/hr
Propane	30,000Btu/hr
Supply Pressure	
Natural Gas	min. 5" w.c.
Propane	min. 11" w.c.
Manifold Pressure - High	
Natural Gas	3.5" w.c.
Propane	10" w.c.
Manifold Pressure - Low	
Natural Gas	1.6" w.c.
Propane	6.4" w.c.
Electrical: 115V_60Hz.less than 2 AMP Circulation: Variable speed fan, 125/75 CFM. Log Set: Ceramic fiber, 7 per set.	
System Data:	
High Elevation	
For 0 - 4,500 feet altitude	
Burner Inlet Orifice Sizes:	
Burner	Natural Gas #35 Propane #51
Max. Input Rating	
Natural Gas	35,000 Btu/hr
Propane	32,500 Btu/hr
Min. Input Rating	
Natural Gas	24,000 Btu/hr
Propane	26,000 Btu/hr
Supply Pressure	
Natural Gas	min. 5" w.c.
Propane	min. 11" w.c.
Manifold Pressure - High	
Natural Gas	3.5" w.c.
Propane	10" w.c.
Manifold Pressure - Low	
Natural Gas	1.6" w.c.
Propane	6.4" w.c.
Electrical: 115V_60Hz.less than 2 AMP Circulation: Variable speed fan, 125/75 CFM. Log Set: Ceramic fiber, 7 per set.	

Gas Connection

The gas connection is a 3/8" NPT 90° elbow. The gas line can be rigid pipe or to make installation easier, use a listed flexible connector and/or copper tubing if allowed by local codes. Since some municipalities have additional local codes it is always best to consult with your local authorities and the CSA B149.1 installation codes.

For USA installations follow local codes and/or the current National Fuel Gas Code, ANSI Z223.1.

When using copper or flex connectors use only approved fittings. Always provide a union so that gas lines can be easily disconnected for burner and/or valve servicing. Flare nuts for copper lines and flex connectors are usually considered to meet this requirement.

Important: Always check for gas leaks with a soap and water solution or gas leak detector. Do not use open flame for leak testing.

Note: Prior to any pressure testing of the gas supply piping system that exceeds test pressures of 1/2 psig, this appliance must be disconnected from the piping system. If test pressures equal to or less than 1/2 psig are used then this appliance must be isolated from the piping system by closing its individual manual shut-off valve during the testing.

High Elevation

This unit is approved in Canada for altitude 2000 ft. to 4500 ft. (CSA-2.17) with the orifice kit Part # 730-920. For Natural Gas installations above 4500 ft. follow current CSA B149.1.

In U.S.A., for installations above 2000 ft. refer to current ANSI Z223.1 Sc8-8.1.2a appendix F, for resizing orifice.

Conversion from NG to LP

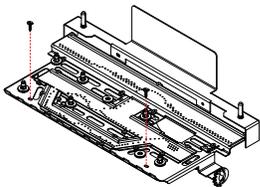
**THIS CONVERSION MUST BE DONE BY A QUALIFIED GAS FITTER
IF IN DOUBT DO NOT DO THIS CONVERSION !!**

Each Kit contains one LPG Conversion Kit #734-977

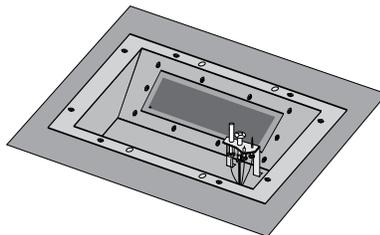
LPG Conversion Kit Contains:

Qty.	Part #	Description
1	904-529	5/32" Allen Key
1	904-431	Burner Orifice #49
1	918-590	Label "Converted to LPG"
1	908-528	Red "LPG" label
1	910-037	LPG Injector (Pilot Orifice)
1	911-011	Stepper motor
1	920-143	Instruction Sheet

1. Shut off the gas and electrical supply.
2. Remove the safety screen, open the front door and carefully remove the logs and lava rock.
3. Remove burner. See diagram below.



Note: Use a magnetic type screwdriver if possible.

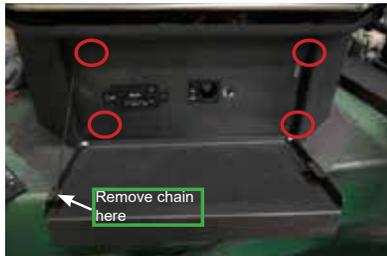


Pilot assembly is now accessible .

4. Open pedestal door and remove the chain from door which will allow door to fall.
5. Remove 2 screws that secure the front door to the unit. One screw is on the left hand side and the other on the right hand side. (Left side shown).



6. Remove four screws to remove the access panel (in locations shown below) and the chain attached to the front door and the unit.



7. Turn control knob to the "OFF" position.
8. Remove NG stepper motor by removing 2 screws in locations shown below—replace with LP stepper motor, secure in place with 2 screws.



9. Pull off the pilot cap to expose the pilot orifice.

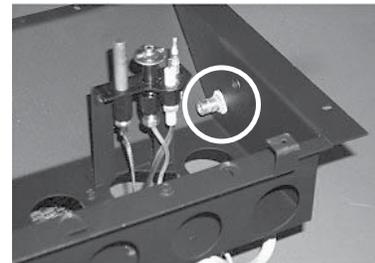


10. Unscrew the pilot orifice with the allen key and replace with the LPG pilot orifice in the kit.

11. Reinstall new burner orifice LPG stamped #49 and tighten.



12. Remove burner orifice with a 1/2" wrench while using a 9/16" wrench to hold onto the elbow behind the orifice, then discard the orifice.



Burner Orifice

13. Check for gas leaks with a proper soapy solution or leak detector.
14. Check for proper spark between the ignitor and pilot cap. Refer to "Lighting Procedure" section of the manual for lighting sequence.
15. Check pilot flames. Correct flame pattern has 3 strong blue flames. Adjustment can be made by turning the slotted screw at the top right corner of the valve. Refer to "Maintenance Instructions" section of the manual for correct flame patterns.
16. Reverse Steps 9-1.
17. Attach the label "This unit has been converted to LPG" near or on top of the Serial # decal.
18. Replace yellow "NG" label with red "LPG" label.
19. Check operation of flame control.
20. The burner aeration should be set to full open for LP. See aeration adjustment details in the manual.
21. Check for proper flame appearance and glow on logs.

**Installer Notice:
These instructions must be left with the appliance.**

installation

Conversion to High Elevation

THIS CONVERSION MUST BE DONE BY A QUALIFIED GAS FITTER IF IN DOUBT DO NOT DO THIS CONVERSION !!

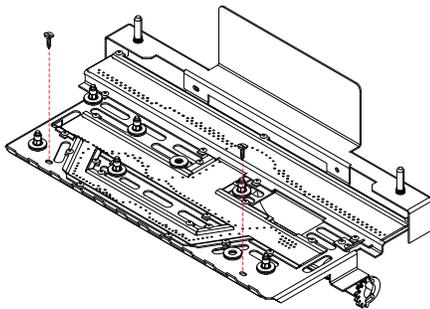
Natural Gas Conversion Kit 734-920 Contains:

Qty.	Part #	Description
1	904-644	Burner Orifice #35 (NG)
1	918-034	Decal "Converted to 35,000 Btu"
1	920-140	Instruction Sheet

Propane Conversion Kit 734-922 Contains:

Qty.	Part #	Description
1	904-645	Burner Orifice #51 (LPG)
1	918-034	Decal "Converted to 32,500 Btu"
1	920-140	Instruction Sheet

1. Shut off the gas supply.
2. Open the front door. Carefully remove the logs and media.
3. Remove burner. See diagram below.



Note: Use a magnetic type screwdriver if possible.

4. Remove burner orifice with a 1/2" wrench and discard.



Burner Orifice

5. Reinstall new burner orifice (NG stamped #35 or LP stamped #51) and tighten.
6. Reverse steps 3 and 2.
7. Attach the label "This unit has been converted to..." on top of the Serial # decal over the higher Btu information.
8. Check for gas leaks.
9. Check inlet and outlet pressures.
10. Check operation of flame control. Check for proper flame appearance and glow on logs.
11. The burner aeration should be set to 3/8" open for NG and 1/2" open for LP. See aeration adjustment details in the manual.

Gas Pipe Pressure Testing

The appliance must be isolated from the gas supply piping system by closing its individual manual shut-off valve during any pressure testing of the gas supply piping system at test pressures equal to or less than 1/2 psig. (3.45 kPa). Disconnect piping from valve at pressures over 1/2 psig.

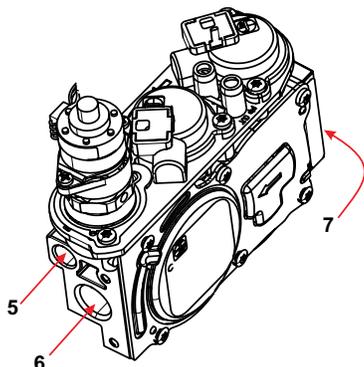
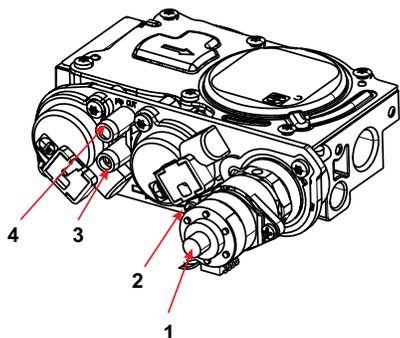
The manifold pressure is controlled by a regulator built into the gas control, and should be checked at the pressure test point.

Note: To properly check gas pressure, both inlet and manifold pressures should be checked using the valve pressure ports on the valve.

1. Make sure the valve is in the "OFF" position.
2. Loosen the "IN" and/or "OUT" pressure tap(s), turning counter clockwise with a 1/8" wide flat screwdriver.
3. Attach manometer to "IN" and/or "OUT" pressure tap(s) using a 5/16" ID hose.
4. Light the pilot and turn the valve to "ON" position. Read manometer.
5. The pressure check should be carried out with the unit burning and the setting should be within the limits specified on the safety label.
6. When finished reading manometer, turn off the gas valve, disconnect the hose and tighten the screw (clockwise) with a 1/8" flat screwdriver.
Note: Screw should be snug, but do not over tighten

885 S.I.T. Valve Description

- 1) 6 Stage flame adjustment
- 2) Pilot adjustment
- 3) Outlet Pressure Tap
- 4) Inlet Pressure Tap
- 5) Pilot Outlet
- 6) Main Gas Outlet
- 7) Main Gas Inlet



Aeration Adjustment

The burner aeration is factory set but may need adjusting due to either the local gas supply or altitude.

U39 with 38,000 Btu/h

U39E-NG12 Natural Gas: Full open
U39E-LP12 Propane: Full open

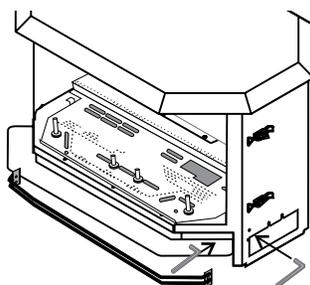
U39 with 35,000 Btu/h

U39E-NG12 Natural Gas: 3/8" open

U39 with 32,500 Btu/h

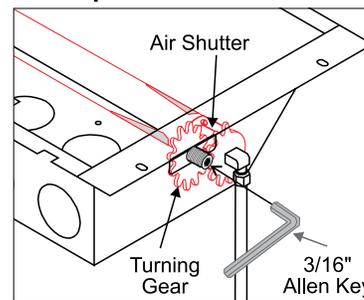
U39E-LP12 Propane: 1/2" open

The aeration adjustment gears are located on the right side of the burner box and can be accessed from the side or from the front when the louvers are removed.



To adjust the aeration: use the Allen key to turn the turning gear which will adjust the air shutter. Open the air shutter for a blue flame or close it for a yellow flame.

Closed -Tall yellow flame
Open -Short blue flame



Clockwise to open,
counter-clockwise to close.

Caution: Carbon will be produced if the air shutter is closed too much.

Note: Any damage due to carboning resulting from improperly setting the aeration controls is NOT covered under warranty.

Note: Aeration Adjustment should only be performed by an authorized Regency® Installer at the time of installation or service.

On Demand Pilot Light

Important: This appliance has a timer built into the pilot light.

The timer starts when the main burner has been shut-off by use of a remote control, thermostat or on/off switch. The timer is set for 7 days. If there has not been a call for heat for this 7 day period, the pilot is designed to extinguish.

See lighting instructions for lighting pilot.

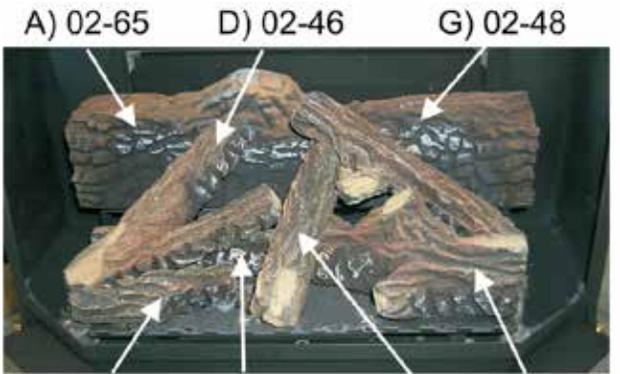
installation

Log Set Installation

Read the instructions below carefully and refer to the diagrams. If logs are broken do not use the unit until they are replaced. Broken logs can interfere with the pilot operation.

The gas log kit contains the following:

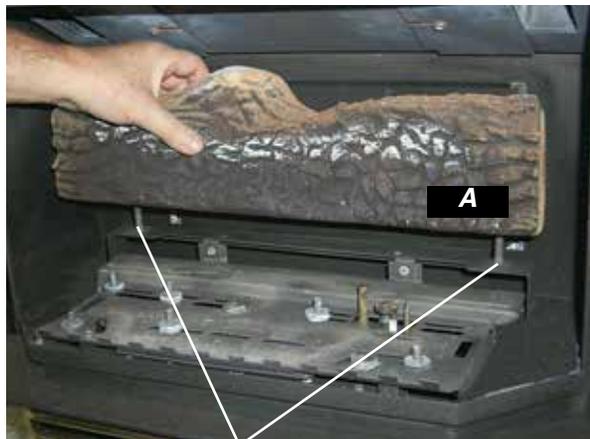
- a) 02-65 Rear Log
- b) 02-56 Middle Left Log
- c) 02-44 Front Left Log
- d) 02-46 Left Top Log
- e) 02-45 Front Right Log
- f) 02-47 Center Log
- g) 02-48 Middle Right Log



C) 02-44 B) 02-56 F) 02-47 E) 02-45

The "02" refer numbers (i.e. 02-65) are molded into the rear of each log.

1. Carefully remove the logs from the box and unwrap them. The logs are fragile, handle with care - **do not force into position.**
2. Place Rear Log A on the two pins on the rear log support.



Pins on Rear Log Support

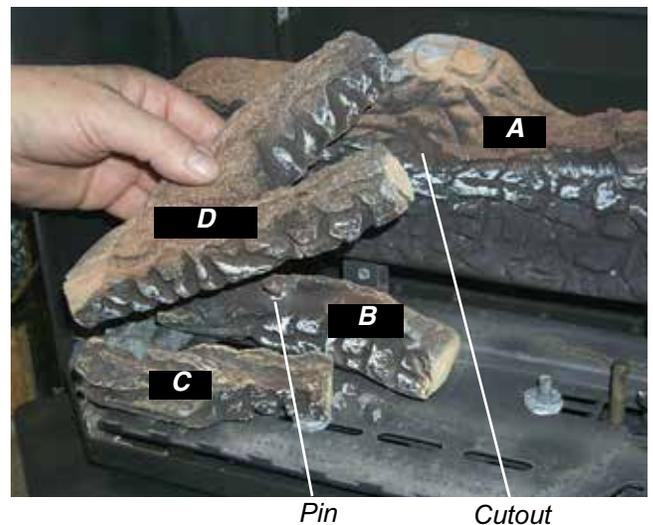
3. Place the Middle Left Log B on the two pins as shown.



4. Place Front Left Log C onto the 2 front pins as shown.



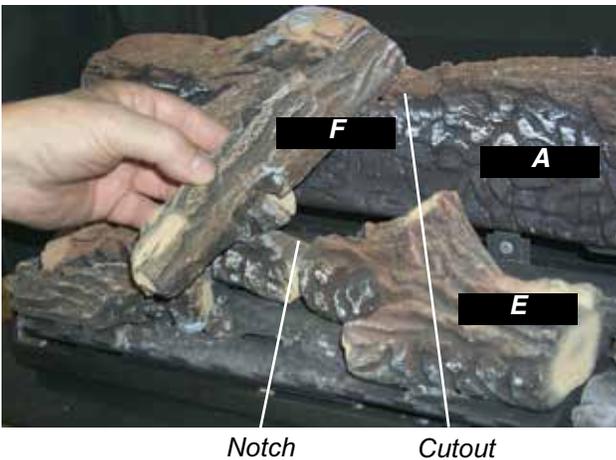
5. Place the Left Top Log D on the pin on Log B and on top of the cut-out on Log A.



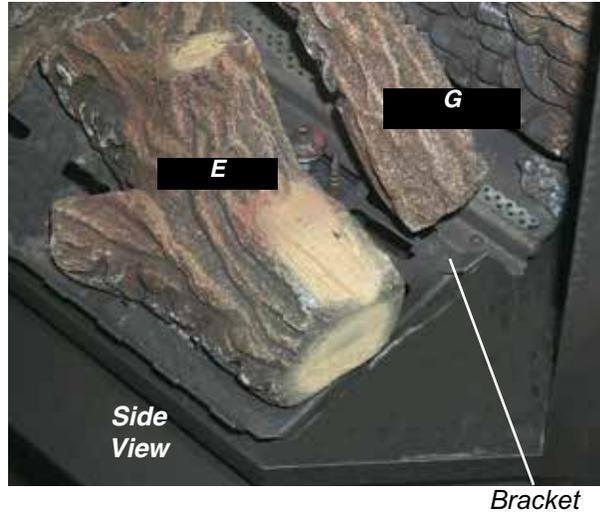
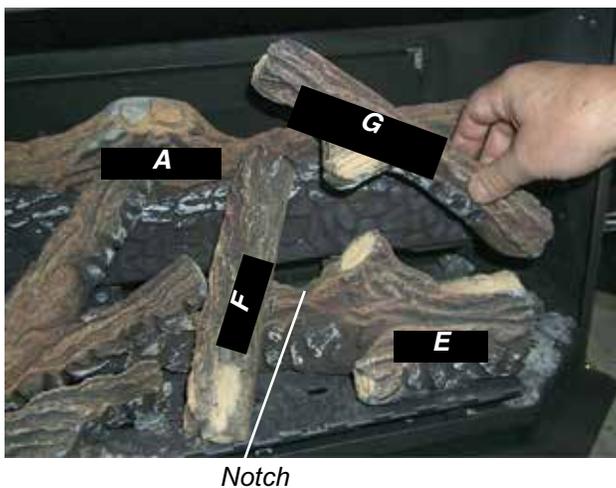
6 Place Front Right Log E on the two pins as shown.



7. Place the notch in Center Log F over Log E and across the cut-out on Log A.



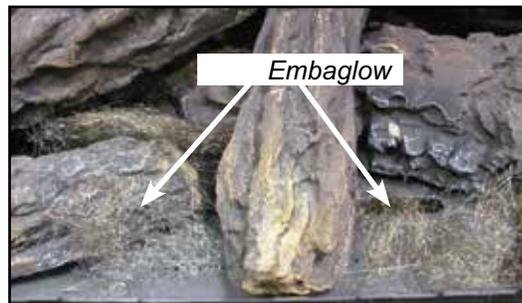
8. Position notch in Front Right Log G on Log F and push the bottom right edge against the bracket on the burner tray.



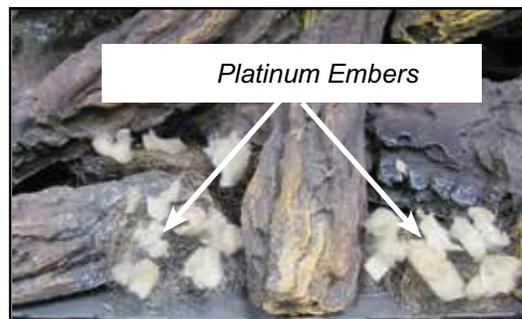
The bottom right edge of Log G must sit snugly against the bracket

9. Take the Embaglow, (steel wool like material) lightly separate it and set a small amount over the visible burner ports in front and between the front left log and the log under the "Y" log, indicated in the picture.

IMPORTANT: DO NOT compress this material down on the burner ports.

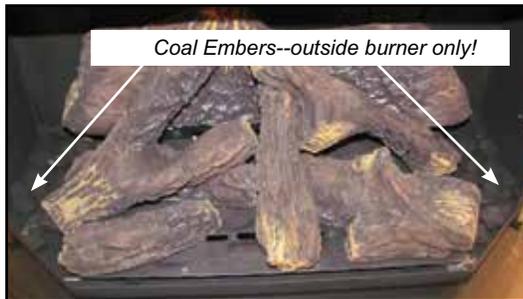


10. Next, take the white Platinum Ember material (provided) and gently separate the layers until you have a fine layer to place onto the Embaglow (steel wool type media).

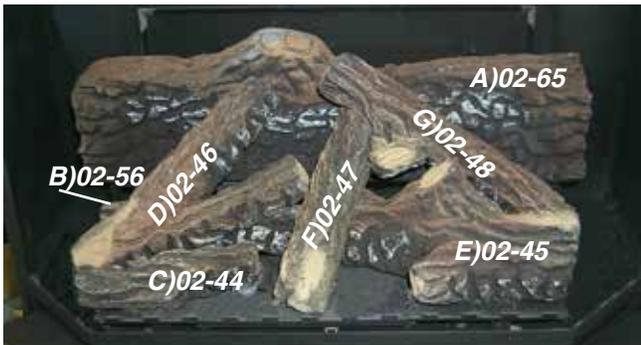


installation

- Using the harder coal like embers carefully spread these around the **OUTSIDE** of the burner (1 cup on each side). Do not place or use these hard material embers on top of the burner.



- Test fire to ensure proper light off (make sure flame flows smoothly from one end of burner to the other. If there is any flame hesitation, check that area for any blockage of the burner port.

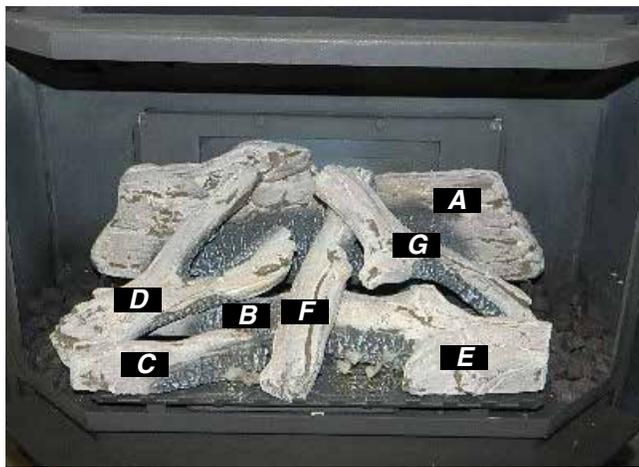


Driftwood Log Set Installation

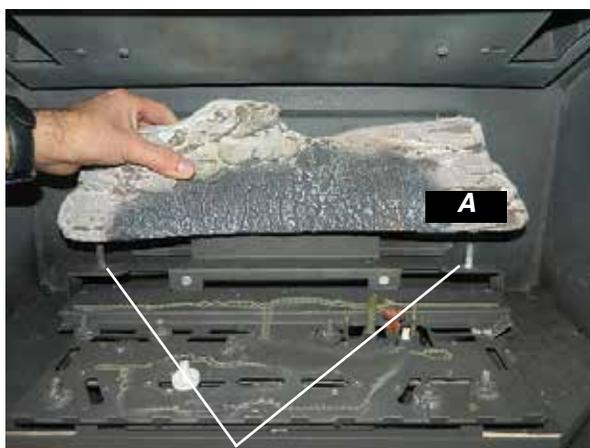
Read the instructions below carefully and refer to the diagrams. If logs are broken do not use the unit until they are replaced. Broken logs can interfere with the pilot operation.

The driftwood log kit contains the following:

- A Rear Log
- B Middle Left Log
- C Front Left Log
- D Left Top Log
- E Front Right Log
- F Center Log
- G Middle Right Log



1. Carefully remove the logs from the box and unwrap them. The logs are fragile, handle with care - **do not force logs into position.**
2. Place Rear Log A on the two pins on the rear log support.

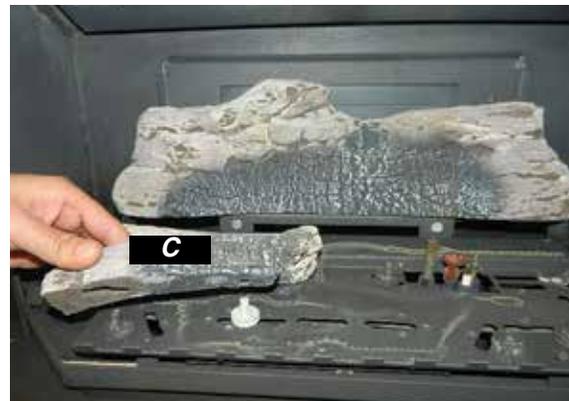


Pins on Rear Log Support

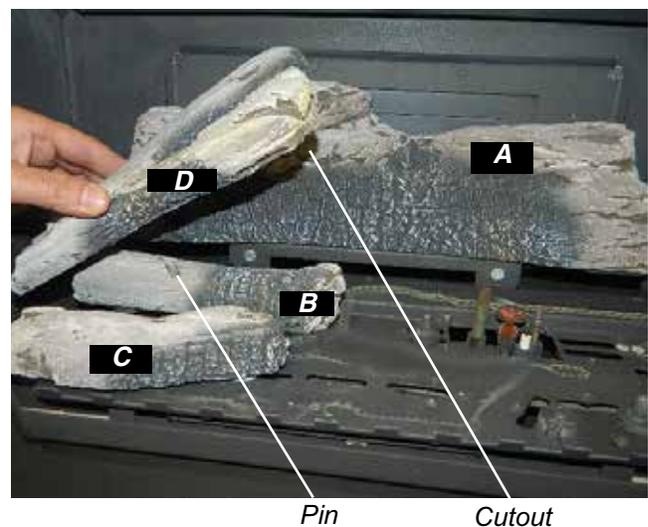
3. Place the Middle Left Log B on the two pins as shown.



4. Place Front Left Log C onto the 2 front pins as shown.

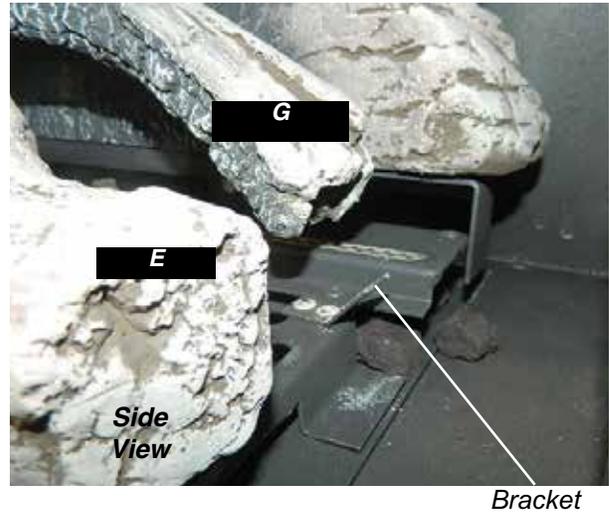


5. Place the Left Top Log D on the pin on Log B and on top of the cut-out on Log A.



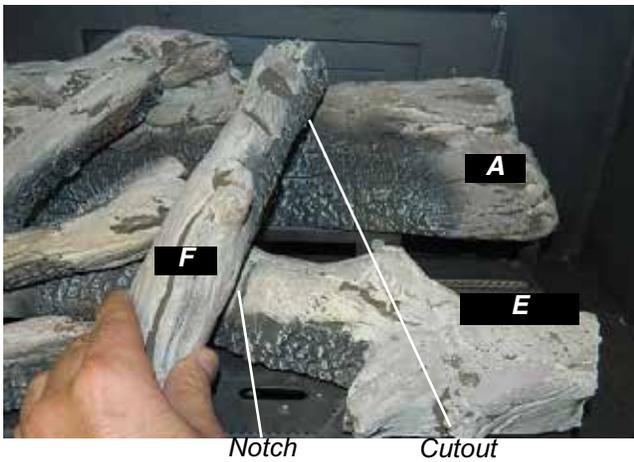
installation

6 Place Front Right Log E on the two pins as shown.

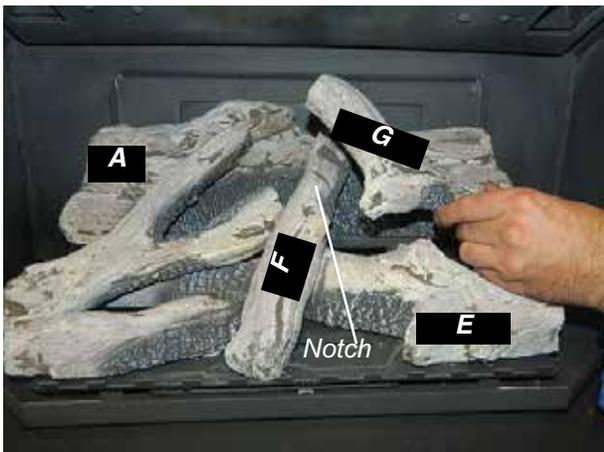


The bottom right edge of Log G must sit snugly against the bracket

7. Place the notch in Center Log F over Log E and across the cut-out on Log A.

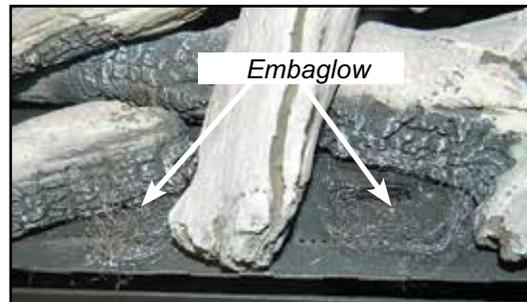


8. Position notch in Front Right Log G on Log F and push the bottom right edge against the bracket on the burner tray.

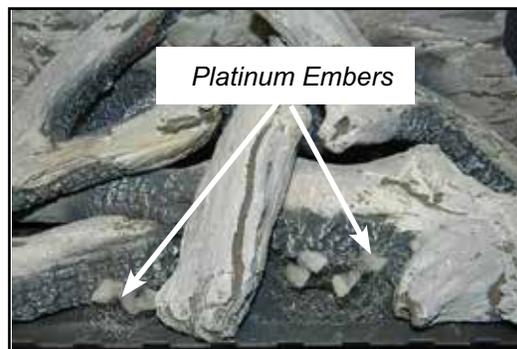


9. Take the Embaglow, (steel wool like material) lightly separate it and set a small amount over the visible burner ports in front and between the front left log and the log under the "Y" log, indicated in the picture.

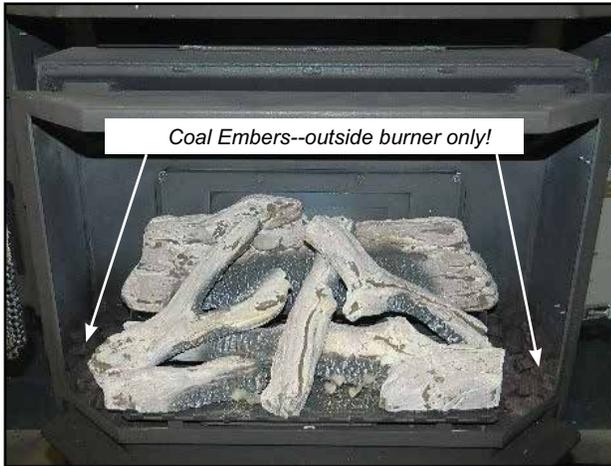
IMPORTANT: DO NOT compress this material down on the burner ports.



10. Next, take the white Platinum Ember material (provided) and gently separate the layers until you have a fine layer to place onto the Embaglow (steel wool type media).



11. Using the harder coal like embers carefully spread these around the **OUTSIDE** of the burner (1 cup on each side). Do not place or use these hard material embers on top of the burner.



12. Test fire to ensure proper light off (make sure flame flows smoothly from one end of burner to the other. If there is any flame hesitation, check that area for any burner port blockage).

installation

Wiring Diagram without Thermostat

WARNING: Electrical Grounding Instructions

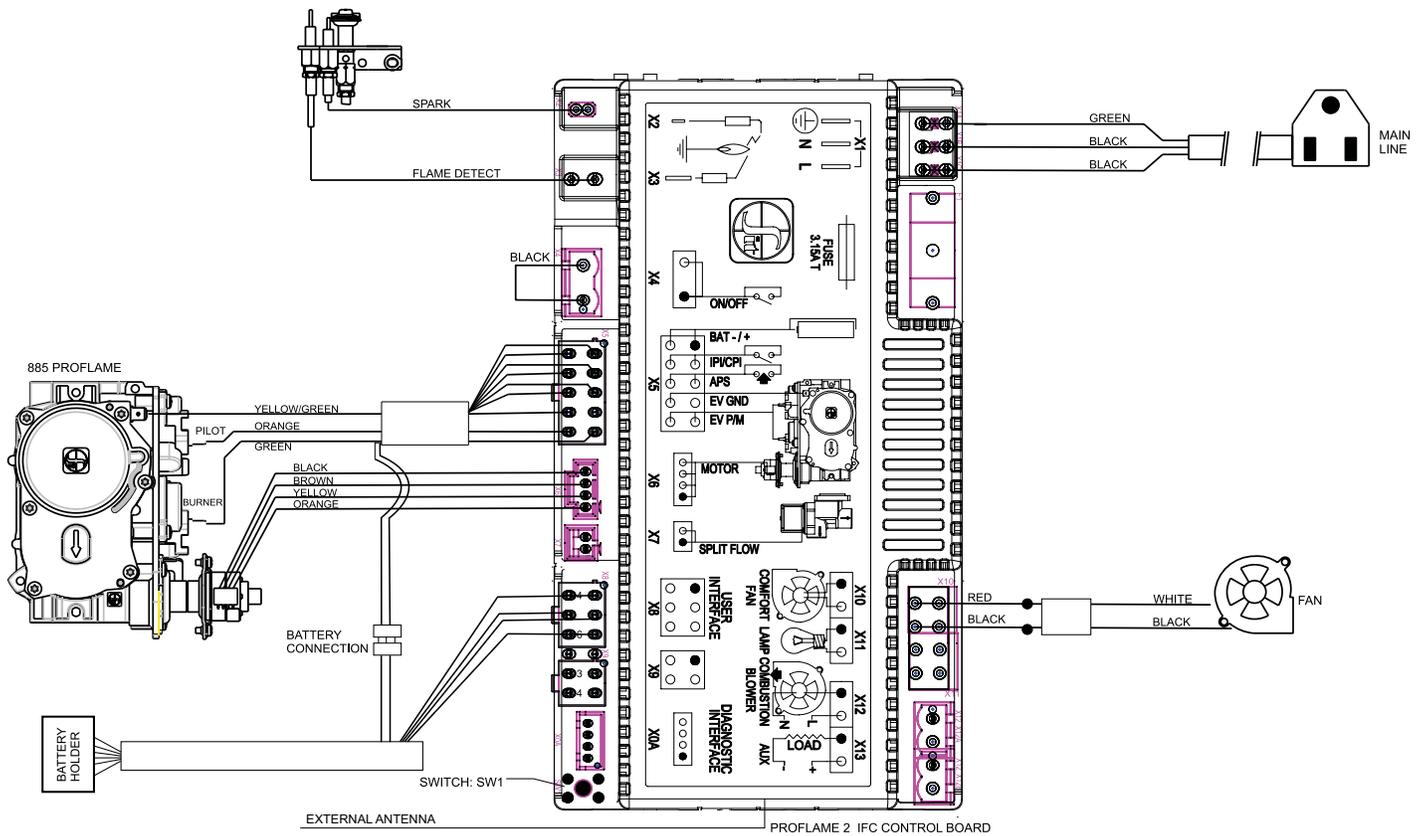
This appliance is equipped with a three pronged (grounding) plug for your protection against shock hazard and should be plugged directly into a properly grounded three-prong receptacle. Do not cut or remove the grounding prong from this plug.

This heater does not require a 120V A.C. supply for operation. In case of a power failure, the remote control/thermostat will continue to operate.

CAUTION: Ensure that the wires do not touch a hot surface and are away from sharp edges.

Note:

4 AA Batteries must be installed into the back up battery compartment however for this unit to operate when power is lost. See battery back up instructions in this manual The fan will not operate during a power outage.



Optional Wall Thermostat

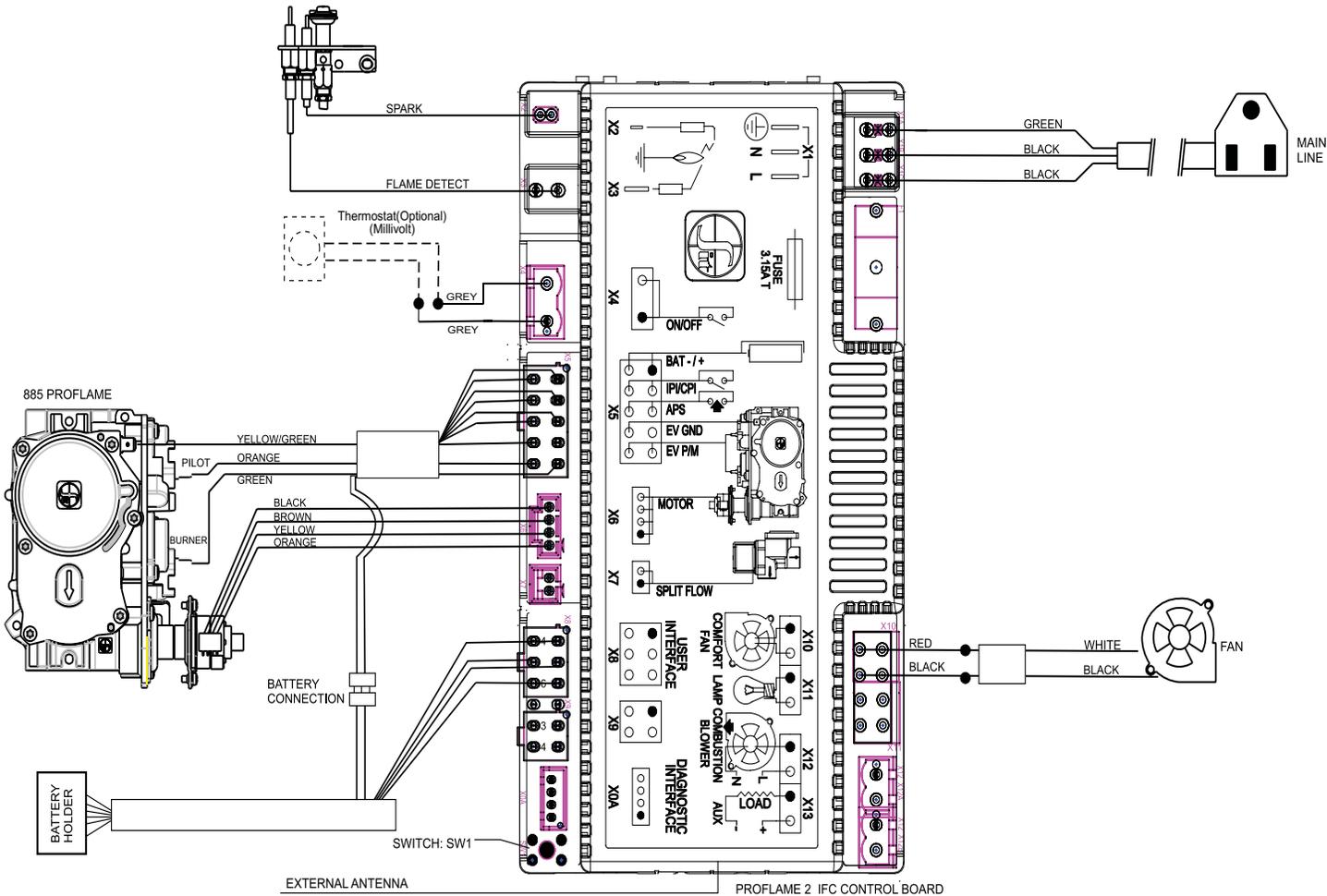
A wall thermostat may be installed if desired. Connect the wires as per the wiring diagrams.

Note: Preferable if the thermostat is installed on an interior wall.

Regency® offers an optional programmable thermostat but any 250-750 millivolt rated non-anticipator type thermostat that is CSA, ULC or UL approved may be used.

CAUTION
Do not connect the millivolt wall thermostat wires to the 120V wires.

Wiring Diagram with Optional Thermostat



installation

First Fire

The **FIRST FIRE** in your stove is part of the paint curing process. To ensure that the paint is properly cured, it is recommended that you burn your fireplace for at least four (4) hours the first time you use it with the fan on. When first operated, the unit will release an odour caused by the curing of the paint and the burning off of any oils remaining from manufacturing. Smoke detectors in the house may go off at this time. Open a few windows to ventilate the room for a couple of hours. The glass may require cleaning.

DO NOT ATTEMPT TO CLEAN THE GLASS WHILE IT IS STILL *HOT!*

Note: When the glass is cold and the appliance is lit, it may cause condensation and fog the glass. This condensation is normal and will disappear in a few minutes as the glass heats up.

DO NOT BURN THE APPLIANCE WITHOUT THE GLASS FRONT IN PLACE.

During the first few fires, a white film may develop on the glass front as part of the curing process. The glass should be cleaned or the film will bake on and become very difficult to remove. Use a non-abrasive cleaner and NEVER clean the glass while it is hot.

Operating Instructions

1. Read and understand these instructions before operating this appliance.
2. Check to see that all wiring is correct and enclosed to prevent possible shock.
3. Check to ensure there are no gas leaks.
4. Make sure the glass in the door frame is properly positioned. Never operate the appliance with the glass removed. Never strike the glass or slam the door shut.
5. Verify that the venting and cap are unobstructed.
6. Verify log placement. If the pilot cannot be seen when lighting the unit—the logs have been incorrectly positioned.
7. The unit should never be turned off, and on again without a minimum of a 60 second wait.

This remote control requires coding. See remote coding instructions for details.

NOTE: This appliance will operate with 4 AA back-up batteries installed (see Back-up Battery section for details) during power outages. Only the fan will not operate until power is restored. If the remote is misplaced, the unit can be shut off by flipping the main **ON/OFF** switch, located behind the front cover plate, to the **OFF** position.

IMPORTANT: The remote control system supplied with this appliance has several options for starting/operating the appliance, please read the remote control operating instructions (packed with remote control) to understand how to operate this remote system. You can download remote functions video with the QR code in this manual.

Wall thermostat and remote. Set the wall thermostat to the desired set point, then place the remote transmitter in either SMART or thermostatic mode with a set point 5 degrees above the set point on the wall thermostat. The burner will fire until the set point on the wall thermostat is satisfied. The remote will remain connected and allow full control of all accessories.

Operation Using an Optional Wall Thermostat

This unit ships with a full function remote control as standard equipment. This allows for basic on/off function as well as the ability to operate as a thermostat. With the addition of an optional wall cradle (820-477-AWT available from an authorized dealer) the remote can reside on a wall and carry out all the functions of a typical millivolt wall thermostat as well as being able to control the fan speed, and the flame height. This is the recommended procedure for operating the unit with a thermostatic set point. If a millivolt wall thermostat is required for bedroom installation or as preferred method of controlling the stove, see noted option.

Proflame II Battery Holder Battery Replacement & Battery Pack Up if 120 Volt Power is lost

To operate the stove during a power outage or when power is not available see the following steps.

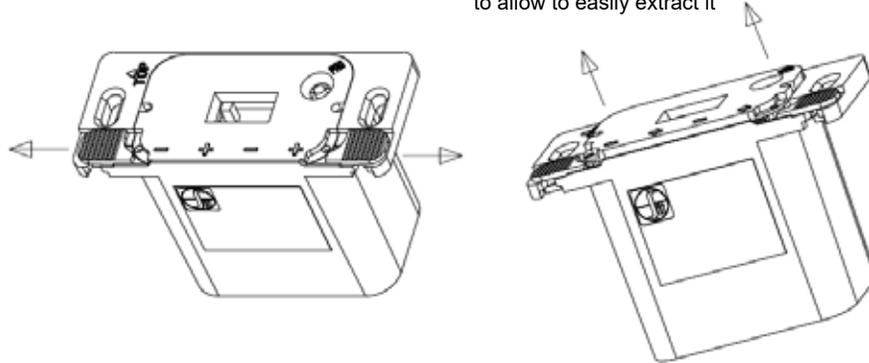
How to replace/add the batteries on battery holder (Proflame 2).

Note : If a wall switch cover plate is installed, first remove cover plate by removing 2 small phillips head screws

STEP 1

Move both the left/right slides as shown below.

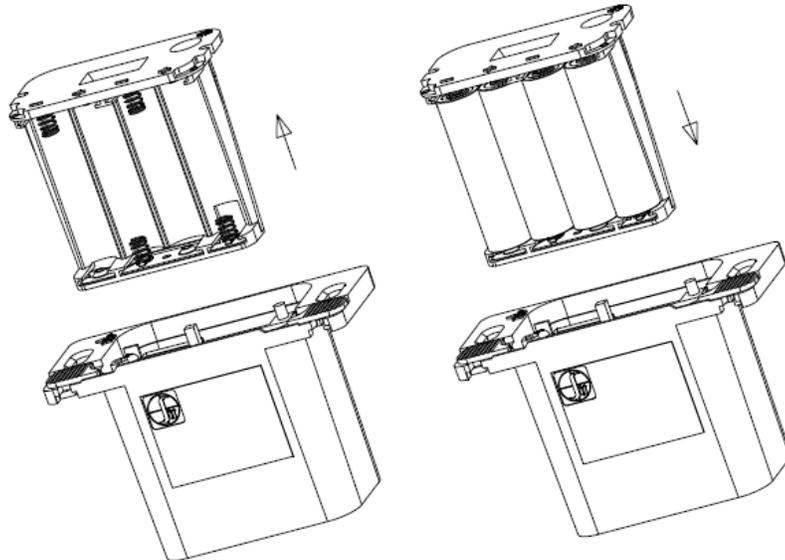
The battery compartment will be pushed out slightly, to allow to easily extract it



STEP 2

Extract the battery compartment from the remote receiver/battery holder

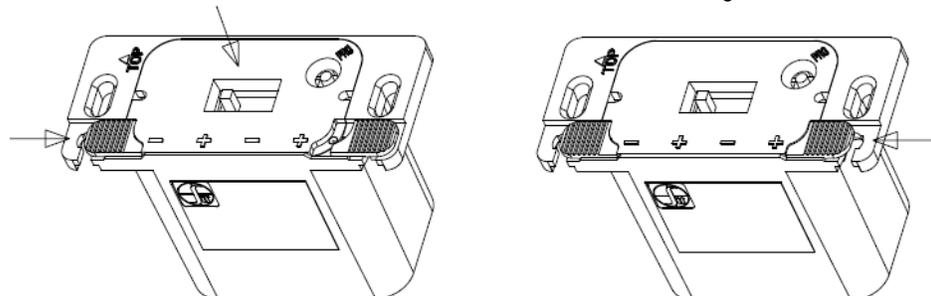
Replace 4 x AA batteries and insert the battery compartment back into remote receiver/battery holder



STEP 3

Keeping the battery compartment pressed in, close the left slide

Close the right slide



STEP 4 Reinstall wall cover plate with 2 Phillips head screws.

operating instructions

Automatic Convection Fan Operation

The fan operates on this appliance with the remote control supplied. The fan will turn on as the stove comes up to operating temperature. After the unit has been turned off and cools to below a useful heat output range the fan will shut off automatically. See remote control instructions for details on operation of the fan using the remote control.

Adjusting Flame Height

Your heater has an adjustable flame to tailor the look and heat output to your specific needs.

See remote control instructions for full details on how to increase or decrease flame height on this appliance.

Normal Operating Sounds of Gas Appliances

It is possible that you will hear some sounds from your gas appliance. This is perfectly normal due to the fact that there are various gauges and types of steel used within your appliance. Listed below are some examples. All are **normal operating sounds** and should not be considered as defects in your appliance.

Blower:

Regency® gas appliances use high tech blowers to push heated air farther into the room. It is not unusual for the fan to make a "whirring" sound when ON. This sound will increase or decrease in volume depending on the speed setting of your fan speed control.

Burner Tray:

The burner tray is positioned directly under the burner tube(s) and logs and is made of a different gauge material from the rest of the firebox and body. Therefore, the varying thickness of steel will expand and contract at slightly different rates which can cause "ticking" and "cracking" sounds. You should also be aware that as there are temperature changes within the unit these sounds will likely re-occur. Again, this is normal for steel fireboxes.

Pilot Flame:

While the pilot flame is on it can make a very slight "whisper" sound.

Gas Control Valve:

As the gas control valve turns ON and OFF, a dull clicking sound may be audible, this is normal operation of a gas regulator or valve.

Unit Body/Firebox:

Different types and thickness's of steel will expand and contract at different rates resulting in some "cracking" and "ticking" sounds will be heard throughout the cycling process.

Normal Operating Sounds of Gas Appliances

It is possible that you will hear some sounds from your gas appliance. This is perfectly normal due to the fact that there are various gauges and types of steel used within your appliance. Listed below are some examples. All are **normal operating sounds** and should not be considered as defects in your appliance.

Blower:

Hampton® gas appliances use high tech blowers to push heated air farther into the room. It is not unusual for the fan to make a "whirring" sound when ON. This sound will increase or decrease in volume depending on the speed setting of your fan speed control.

Burner Tray:

The burner tray is positioned directly under the burner tube(s) and logs and is made of a different gauge material from the rest of the firebox and body. Therefore, the varying thicknesses of steel will expand and contract at slightly different rates which can cause "ticking" and "cracking" sounds. You should also be aware that as there are temperature changes within the unit these sounds will likely re-occur. Again, this is normal for steel fireboxes.

Pilot Flame:

While the pilot flame is on it can make a very slight "whisper" sound.

Gas Control Valve:

As the gas control valve turns ON and OFF, a dull clicking sound may be audible, this is normal operation of a gas regulator or valve.

Unit Body/Firebox:

Different types and thicknesses of steel will expand and contract at different rates resulting in some "cracking" and "ticking" sounds will be heard throughout the cycling process.

Maintenance Instructions

- 1) Always turn off the valve before cleaning. For relighting, refer to lighting instructions. Keep the burner and control compartment clean by brushing and vacuuming at least once a year. When cleaning the logs, use a soft clean paint brush as the logs are fragile and easily damaged.

- 2) Clean glass (never when unit is hot), appliance, and door with a damp cloth. Never use an abrasive cleaner.

- 3) The heater is finished in a porcelain finish or with a heat resistant paint and should only be refinished with heat resistant paint (not with wall paint).

Never use an abrasive cleaner on the porcelain finish as it may scratch the surface.

- 4) Make a periodic check of burner for proper position and condition. Visually check the flame of the burner periodically, making sure the flames are steady; not lifting or floating. If there is a problem, call a qualified service person.

- 5) **CAUTION:** Label all wires prior to disconnection when servicing controls. Wiring errors can cause improper and dangerous operation.

- 6) The appliance and venting system must be inspected before use, and at least annually, by a qualified field service person, to ensure that the flow of combustion and ventilation air is not obstructed.

During the annual service call, the burners should be removed from the burner tray and cleaned. Replace the embers but do not block the pilot.

- 7) Keep the area near the appliance clear and free from combustible materials, gasoline, and other flammable vapours and liquids.

WARNING: CHILDREN AND ADULTS SHOULD BE ALERTED TO THE HAZARDS OF HIGH SURFACE TEMPERATURE AND SHOULD STAY AWAY TO AVOID BURNS OR CLOTHING IGNITION. YOUNG CHILDREN SHOULD BE CAREFULLY SUPERVISED WHEN THEY ARE IN THE SAME ROOM AS THE APPLIANCE.

DO NOT USE THIS APPLIANCE IF ANY PART HAS BEEN UNDER WATER. IMMEDIATELY CALL A QUALIFIED SERVICE TECHNICIAN TO INSPECT THE APPLIANCE AND TO REPLACE ANY PART OF CONTROL SYSTEM AND ANY GAS CONTROL WHICH HAS BEEN UNDER WATER.

CLOTHING OR OTHER FLAMMABLE MATERIAL SHOULD NOT BE PLACED ON OR NEAR THE APPLIANCE.

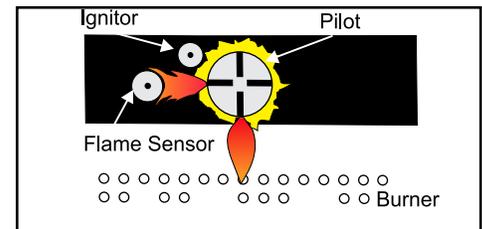
CAUTION: ANY SAFETY SCREEN OR GUARD REMOVED FOR SERVICING AN APPLIANCE MUST BE REPLACED PRIOR TO OPERATING THE APPLIANCE.

- 8) Each time the appliance is lit, it may cause condensation and fog the glass. This condensation and fog is normal and will disappear in a few minutes as the glass heats up.

Never operate the appliance without the glass properly secured in place.

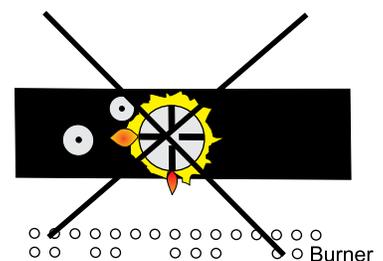
Flame Pattern

Periodically check the pilot and main burner flames. Correct pilot flame pattern has two strong blue flames: 1 flowing around the flame sensor and 1 flowing across the burner (it does not have to be touching the burner).



Note: If you have an incorrect flame pattern, contact your Regency® dealer for further instructions.

Incorrect flame pattern will have small, probably yellow flames, not coming into proper contact with the rear burner or flame sensor.



Top View of Pilot flame

maintenance

Log Replacement

The unit should never be used with broken logs. Turn off the gas valve and allow the unit to cool before opening door to carefully remove the logs. The pilot light generates enough heat to burn someone. If for any reason a log should need replacement, you must use the proper replacement log. The position of these logs must be as shown in the diagram under Log Installation.

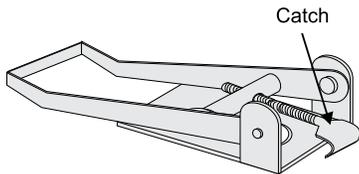
Note: Improper positioning of logs may create carbon build-up and will alter the unit's performance which is not covered under warranty.

Door Glass Gasket

If the door gasket requires replacement use 7/8" diameter oval door gasket (Part # 732-570). The glass requires 7/8" flat glass gasket (Part #846-682). See your Regency® dealer.

Latch Adjustment

The door latch may require adjustment as the door gasket material compresses after a few fires and after glass replacement. Turn the adjustable catch to tighten or loosen the latch.



Glass Replacement

Your ULTIMATE stove is supplied with high temperature, 5 mm Neoceram ceramic glass that will withstand the highest heat that your unit will produce. In the event that you break your glass by impact, purchase your replacement door from an authorized Regency® dealer only, and follow our step-by-step instructions for replacement. The glass is not sold separately, as it must be properly sealed in the door frame.

Replacement Part

940-325/P U39E Wraparound Glass

WARNING: Do not operate appliance with glass panels removed, cracked or broken. Replacement of the glass should be done by a licensed or qualified service person.

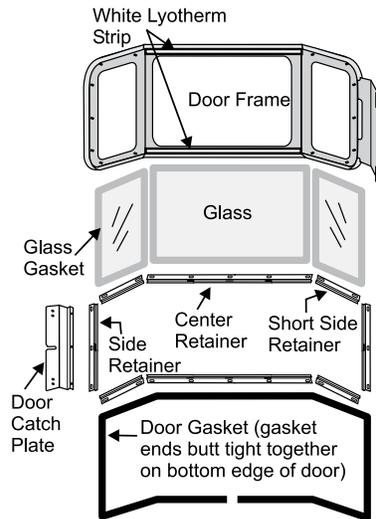
Note: Wearing gloves will protect your hands while handling glass.

Panel Glass Replacement

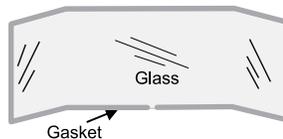
1. Remove the door from the unit and place on a soft surface to prevent scratching.
2. Pull out the door gasket.
3. Remove the nuts holding the glass retainers in place.
4. Remove the glass retainers (sides, top and bottom) and the door catch plate.
5. Replace the glass. The glass must have gasketing around it.
6. Reverse the previous steps, replace the retainers and fasten with the nuts but do not overtighten, as this can break the glass. Note: the door catch plate fits on top of the left side retainer.
7. Put gasket glue on the retainers, but do not put glue on the screws. Replace the door gasket, the two ends butt tight together on the bottom edge of the door.
8. Replace door on the stove and check the seal.

Installing Glass

1. Place glass assembly into door frame.
2. Install retainers by placing 1 drop of glue where previously glued and put in place.
3. Install side retainers.
4. Install door catch plate.
5. Install the 24 nuts loosely, do not tighten.
6. Tighten side panels nuts using the following procedure:
 - a. tighten top & bottom outside corner nuts (2).
 - b. tighten inside nuts (3).
 - c. tighten top & bottom inside corners (2).
7. Tighten the 10 nuts on center glass retainer.
8. Repeat step 7 for other side panel.
9. Replace new gasket by gluing it in place.
10. Install door onto stove and check the seal.



Panel Glass Door Assembly
Wraparound Assembly Door



(same glass retainers as the
Panel Assembly)

Fan Maintenance

If your fan requires maintenance or replacement, access to the fan is through the plate on the rear wall of the firebox. **NOTE: the unit MUST NOT be operated without the fan access panel securely in place and correctly sealed.**

IMPORTANT: These fans collect a lot of dust from within your home. Ensure you maintain these fan motors on a regular basis by vacuuming out the fan squirrel cages, around the motor, and around the grills on the back of

IMPORTANT
Disconnect power supply
before servicing

WARNING:
Electrical Grounding
Instructions
This appliance is equipped with a three pronged (grounding) plug for your protection against shock hazard and should be plugged directly into a properly grounded three-prong receptacle. Do not cut or remove the grounding prong from this plug.

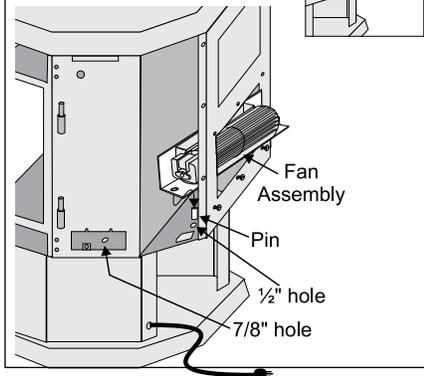
the stove.

To Remove U39E Fan from front of Unit:

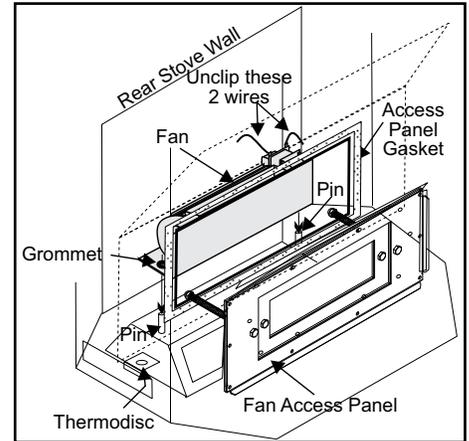
1. Unplug or disconnect power source to stove.
2. Remove all logs and the rear log support, then remove the 10 screws holding the access panel in place.
3. Unclip the black and red wires from the fan motor.
4. Open both side doors and gently pull the flex pipe away from the center, otherwise the fan can catch on the flex pipe during installation and tear the pipe. Do not tear or damage the flex pipe.

Alternate Fan Access:

If the rear access cover is accessible, it can be removed to provide access to the fan.



5. Lift fan off of the 2 pins, tip back and pull through firebox opening. Disconnect the green ground wire from the right side of the fan as soon as



accessible.

Replacing U39E Fan

Reverse the above steps (1 - 5). If necessary install a new gasket before replacing the fan access panel. Make sure the fan wires and the ground wire are reattached.

Hint for pushing fan down onto pins - rub a bit of dish soap on the grommet so it will slide more easily onto the pin. Check to make sure the fan is seated properly on the pins - try to move the fan back and forth, there should be no noise, if there is check that the grommets haven't come loose.

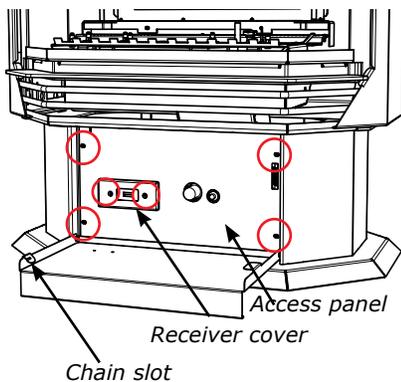
maintenance

Valve Replacement

If the valve requires maintenance or replacement, use the following instructions:

Note: Always shut off the gas supply and turn off electrical before removing the valve.

1. Remove safety screen and open front pedestal door. You may want to put a soft cloth on the base of the unit so that when the pedestal door is open it doesn't scratch the paint.
2. Remove 2 screws to remove receiver cover.
3. Remove chain from door and unit, remove 4 screws holding the access panel in place.



4. Disconnect receiver wire from the back of the panel and then remove panel. Set the panel on a soft cloth so it doesn't get scratched.
5. Disconnect stepper motor wire.



Stepper motor wire

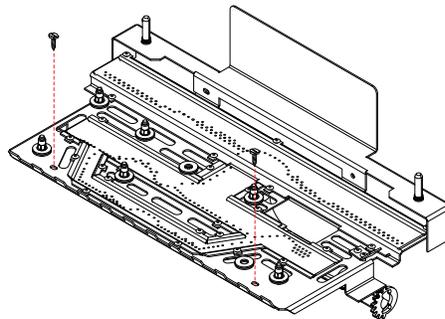
6. If the fan is installed—disconnect the "COM" wire from the valve.
7. Disconnect the DC spark generator wires from the valve.

8. Disconnect the gas at the valve. Access through the front (with access panel removed) The gas line may also be accessed by removing the rear pedestal cover plate.

9. Carefully remove the logs and lava rock.

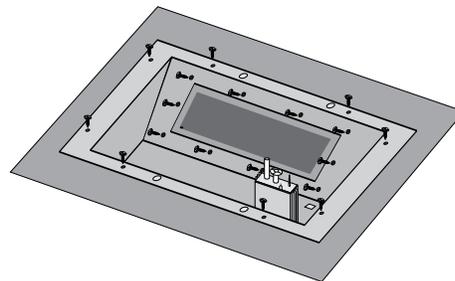
10. Remove two (2) screws to remove burner.

Note: Use a magnetic type screwdriver if possible.



11. Remove all 18 screws holding the burner tray assembly in place.

12. Carefully lift the valve tray assembly out.



13. Remove the valve tray and replace.

14. Reverse Steps 1-11 to complete.

Gas Maintenance

In order for your Regency appliance to continue to provide comfort to your home periodic maintenance must be performed to ensure it is operating at peak efficiency. The items in the list should be checked by a licensed gas service technician during the annual service check. Your unit may require more frequent maintenance checks if you notice any changes in how it operates. Operational changes to look for can include, but are not limited to, extended start up time, increased fan noise, residue/carbon build up, white build up on the glass/firebox, increased operating noise etc. Should any of these or other conditions arise, discontinue use and schedule a service check with your local licensed gas technician. The list below shows items your licensed service technician will need to check and service at least annually.

Clean

- Glass
- Interior bricks / panels
- Burner ports & burner air shutter
- Fan blades
- Log set
- Pilot orifices
- Pilot hood (change as needed)
- Flame sensor (electronic ignition models)
- Flame electrode
- Burner orifice
- Thermocouple (millivolt models)
- Thermopile (millivolt models)

Inspect

- Pilot assembly
- Burner
- Pressure relief gaskets/doors
- Flue connector gasket if present
- Door seal
- Firebox
- Venting
- Batteries (remote handheld, remote receiver, DC sparker, change as needed)
- Burner media (change as needed)
- Air shutter setting
- Wiring

Check

- Voltage on thermocouple/thermopile (millivolt models)
- Ohms reading on flame sense (electronic ignition models)
- Inlet/outlet fuel pressures as per rating plate
- Voltage/ohms readings on gas valve
- Ohms reading to on/off switch circuit (Millivolt models)

Gas Leak Tests

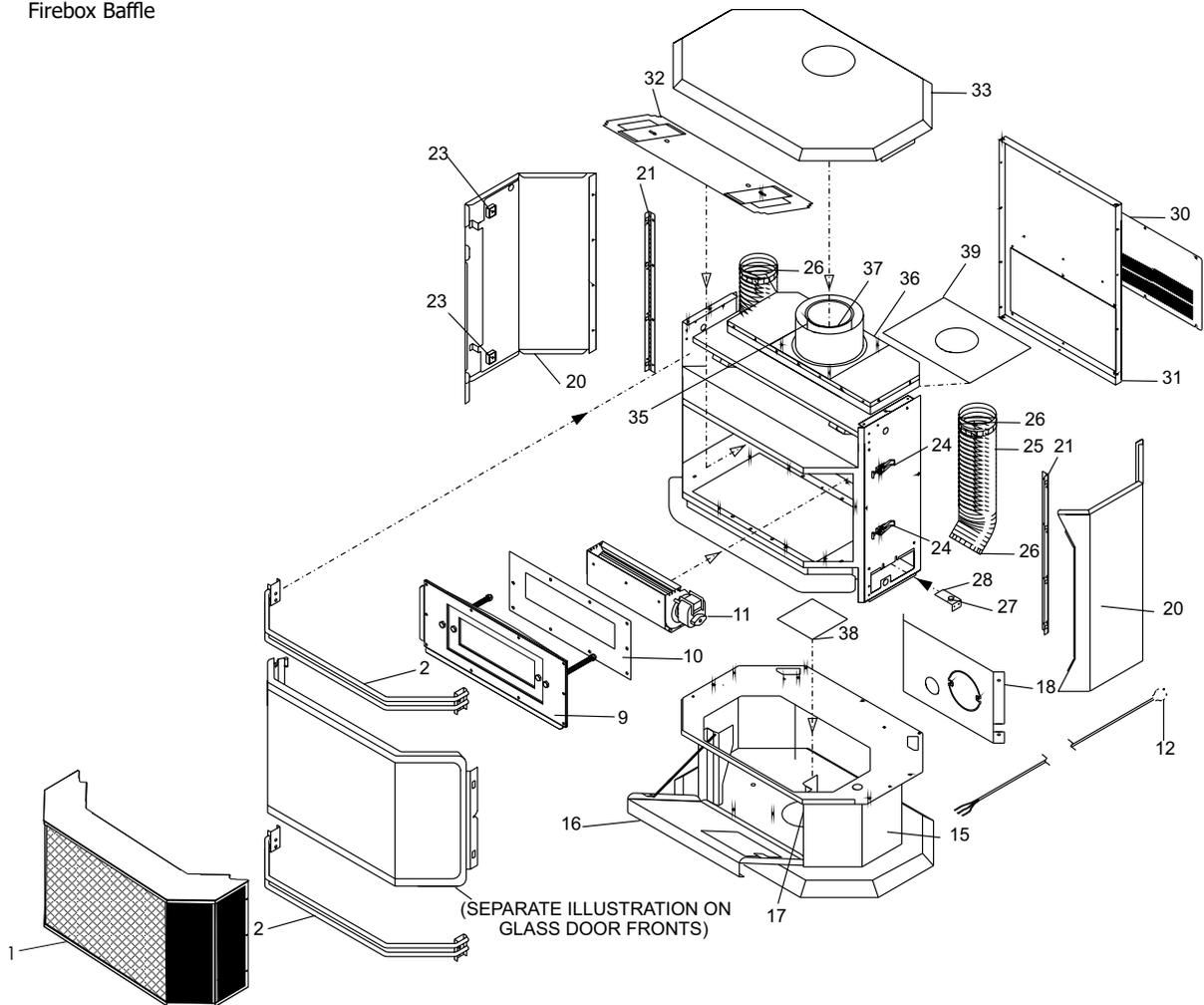
- Check main gas line connection to valve
- Check shut off valve connections
- Check connection at gas valve outlet
- Check connection at main burner orifice
- Check pilot fuel line at valve and at pilot assembly

parts list

Main Assembly

Part #	Description	Part #	Description
1.	732-929 Safety Screen	33.	630-520 False Top Assembly
2.	560-921 Louver Assy - Brush Nickel	35.	923R Starter Collar
	560-922 Louver Assy - Black	36.	936-194 Gasket-Starter Collar/Air Passage
9.	732-513 Relief Door Assembly	37.	936-197 Gasket-Flue Collar/Starter Collar
10.	732-022 Mounting Plate Gasket	38.	820-058 Pedestal Base Cover
11.	730-517/P Fan Assembly	39.	* Gasket - Air Passage
	910-331/P Fan Motor (120 Volt)		948-223 Logo Plate
12.	911-179 Power Cord (120 Volt)		920-433 Manual
15.	* Pedestal Assembly		
16.	730-039 Pedestal Door		
17.	904-257 Pedestal Door Magnet		
18.	732-084 Pedestal Back		
20.	730-531 Short Side Panel Door Assy		
21.	560-031 Hinge for Side Panel		
23.	904-258 Side Panel Door Magnet		
24.	948-255 Door Latch c/w Hook		
25.	* Flex Pipe 3" ID		
26.	* Hose Clamp		
30.	630-021 Fan Access Panel		
31.	730-019 Rear Panel		
32.	730-565 Firebox Baffle		

*Not available as a replacement part.



Burner & Log Assembly

Part # Description

- 59. 734-774/P Valve Assembly- Natural Gas
- 59. 734-776/P Valve Assembly - Propane

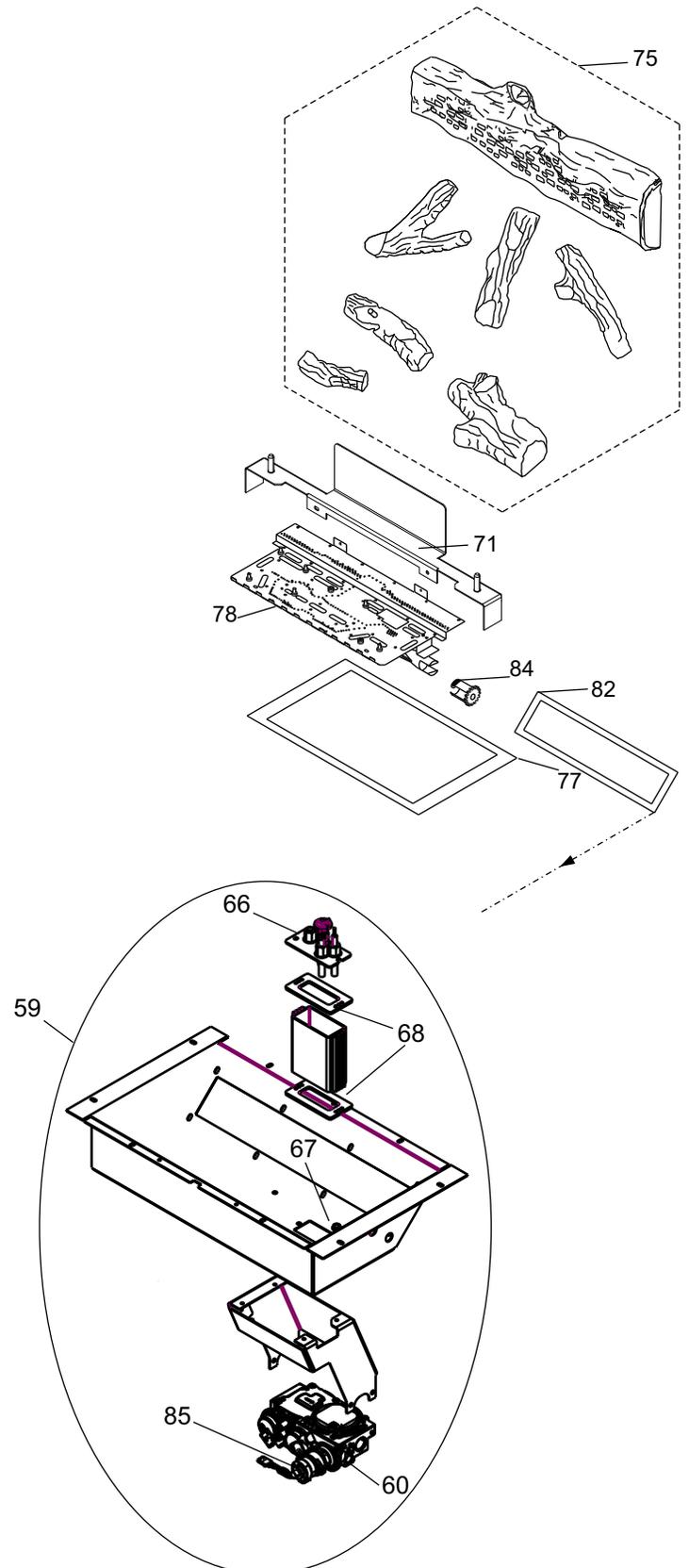
- 60. 911-084 Valve NG 885 SIT IPI 0.885.001
- 911-085 Valve LP 885 SIT IPI 0.885.002

- 66. 911-276 Pilot Assy - S.I.T. - 2 Flame NG
- 911-277 Pilot Assy - S.I.T. - 2 Flame LP

- 67. 904-688 #32 Orifice - NG at 38,000 Btu/h
- 904-644 #35 Orifice - NG at 35,000 Btu/h
- 904-431 #49 Orifice - Propane at 38,000 Btu/h
- 904-645 #51 Orifice - Propane at 32,500 Btu/h
- 936-170 Orifice Gasket

- 68. W840470 Pilot Assembly Gasket
- 71. 732-514 Rear Log Bracket
- 75. 732-930 Log Set
- 75. 732-931 Driftwood Log Set
- 77. 630-008 Gasket - Burner Tray/Firebox
- 78. 734-550 Burner Assembly (NG/LP)
- 80. 260-565 Air Shutter Gear Assembly - Female
- 904-565 Hex Key 3/16" AF
- 82. 630-009 Gasket-Burner Tray/Air Passage
- 84. * Air Shutter Gear Assembly - Male
- 85. 911-010 Stepper Motor NG For 885/886 SIT 0.907.013
- 85. 911-011 Stepper Motor LP For 885/886 SIT 0.907.012
- 911-342 Remote Receiver Black Cover Plate
- 911-175 Remote handheld (GTMF)

- 910-037 Orifice SIT Pilot LP #30 977.167
- 910-036 Orifice SIT Pilot NG #51 977.165
- 911-039 Pilot Hood
- 734-977 Conversion Kit LP
- 911-093 120 Volt Power Cord (10 foot extension)
- 911-137 Pilot Clip
- 910-802 Fan Wire - Black
- 910-749 Fan Wire - White
- 911-257 Wire 2 Position IFC Fan
- 911-173 Valve Wire Harness IFC No CPI Switch 584.924
- 911-266/P IFC Board SIT Proflame II 7day PV+5 Sec.FFRT 0.584.625
- 911-210 Antenna IFC Shielded Harness 315MHz
- 911-282 Wire Harness Battery Box Proflame II .584.922
- 911-037 Flame sensor
- 911-038 Flame Electrode
- 910-432 Pilot Tube with Nuts
- 911-337/P Remote Battery Box
- 911-193 IFC Connector With Jumper



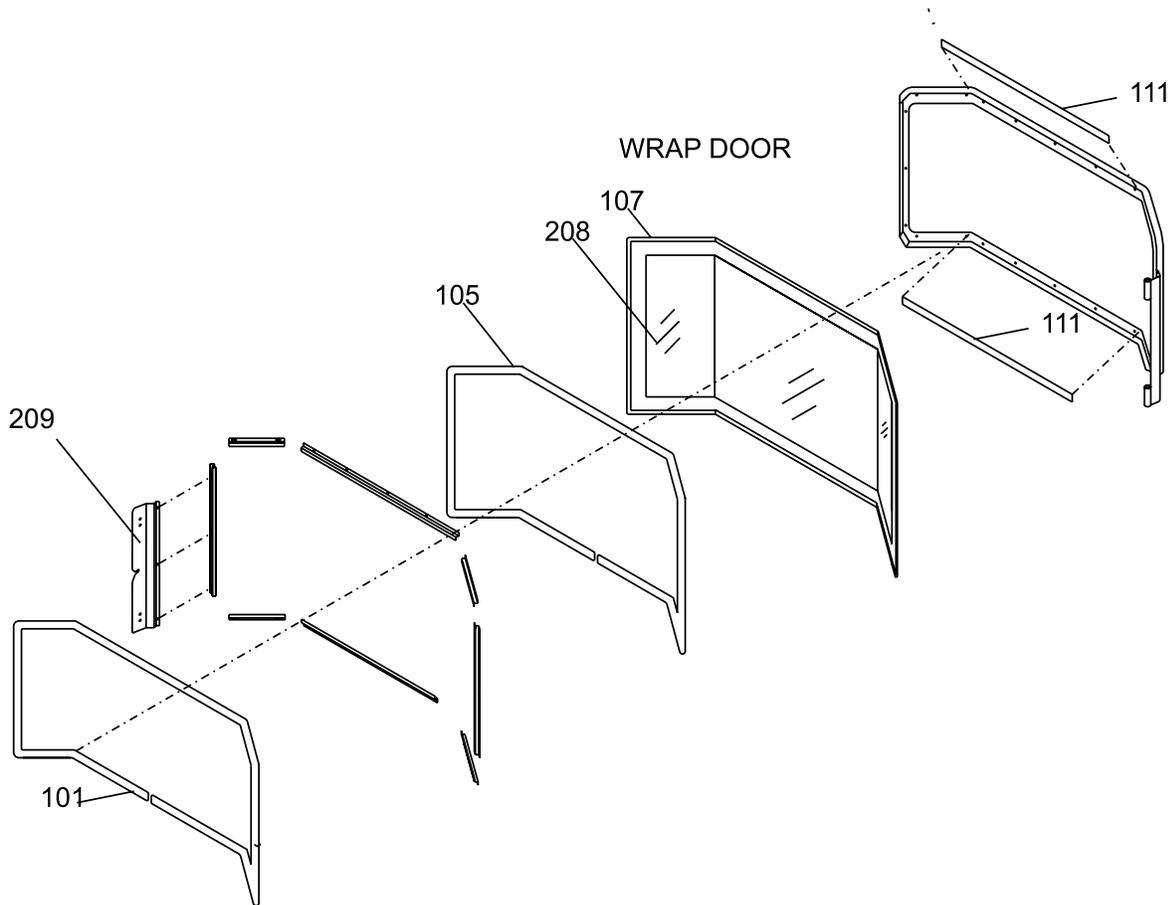
*Not available as a replacement part.

parts list

Door Assembly

Part #	Description
732-943	Black Wrap Door - Complete
732-944	Brushed Nickel Wrap Door - Complete
101.	732-570 Door Gasket Kit
105.	* Ceramic Paper
107.	846-682 7/8" Window Adhesive Gasket Tape (12') (936-243)
111.	* Door Frame Fibre Paper
208.	940-325/P Wrap Glass
209.	732-020 Door Mounting Bracket

*Not available as a replacement part.



warranty

Limited Lifetime Warranty

FPI Fireplace Products International Ltd. (for Canadian customers) and Fireplace Products U.S., Inc. (for U.S. customers) (collectively referred to herein as “FPI”) extends this Limited Lifetime Warranty to the original purchaser of this appliance provided the product remains in the original place of installation. The items covered by this limited warranty and the period of such coverage is set forth in the table below.

Some conditions apply (see below).

The policy is not transferable, amendable or negotiable under any circumstances.

Indoor Gas Products Warranty Coverage Parts and Labor	Part				Supplier	Labor Coverage
	Lifetime	5 years	2 years	1 year	Warranty	(Years)
Firebox and Heat Exchanger	✓					3
Steel Burner Tube	✓					3
Glass Thermal breakage only	✓					3
All Surrounds/Inlays Finishes		✓				3
Brick Panels/Log sets/Ceramic Burners		✓				3
All Castings		✓				3
Valve assembly and all gas control components, (Pilot assembly, flame sensors, Spark Electrode, Pilot Tubing, Orifices, Thermocouple, Thermopile)			✓			2
All Other Electrical components, (Ignition Control Boards, Wiring, Switches, Blowers, Blower Control Module, Battery Pack, Remote Control Systems)			✓			2
Enamel Panels			✓			1
Venting/Venting Components			✓			1
All Stainless steel surrounds				✓		1
All Firebox Media (Crystals, Firebeads, Volcanic, Ceramic & Spa Stones)				✓		1
All hardware				✓		1
Mesh/Glass Safety Barriers				✓		1
Accent Light Bulbs				✓		1
Glass (Crazing)				✓		1

Conditions:

Warranty protects against defect in manufacture or FPI factory assembled components only, unless herein specified otherwise.

Any part(s) found to be defective during the warranty period as outlined above will be repaired or replaced at FPI’s option through an accredited distributor, dealer or pre-approved and assigned agent provided that the defective part is returned to the distributor, dealer or agent for inspection if requested by FPI. Alternatively, FPI may at its own discretion fully discharge all of its obligations under the warranty by refunding the verified purchase price of the product to the original purchaser. The purchase price must be confirmed by the original Bill of Sale.

The authorized selling dealer, or an alternative authorized FPI dealer if pre-approved by FPI, is responsible for all in-field diagnosis and service work related to all warranty claims. FPI is not responsible for results or costs of workmanship of unauthorized FPI dealers or agents in the negligence of their service work.

At all times FPI reserves the right to inspect reported complaints on location in the field claimed to be defective prior to processing or authorizing of any claim. Failure to allow this upon request will void the warranty.

All warranty claims must be submitted by the dealer servicing the claim, including a copy of the Bill of Sale (proof of purchase by you). All claims must be complete and provide full details as requested by FPI to receive consideration for evaluation. Incomplete claims may be rejected.

Unit must be installed according to all manufacturers' instructions as per the manual.

All Local and National required codes must be met.

The installer is responsible to ensure the unit is operating as designed at the time of installation.

The original purchaser is responsible for annual maintenance of the unit, as outlined in the owner's manual. As outlined below, the warranty may be voided due to problems caused by lack of maintenance.

Repair/replacement parts purchased by the consumer from FPI after the original coverage has expired on the unit will carry a 90 day warranty, valid with a receipt only. Any item shown to be defective will be repaired or replaced at our discretion. No labor coverage is included with these parts

Exclusions:

This Limited Lifetime Warranty does not extend to paint, rust or corrosion of any kind due to a lack of maintenance or improper venting, combustion air provision, corrosive chemicals (i.e. chlorine, salt, air, etc.), door or glass gasketing.

Malfunction, damage or performance based issues as a result of environmental conditions, location, chemical damages, downdrafts, installation error, installation by an unqualified installer, incorrect chimney components (including but not limited to cap size or type), operator error, abuse, misuse, use of improper fuels, lack of regular maintenance and upkeep, acts of God, weather related problems from hurricanes, tornados, earthquakes, floods, lightning strikes/bolts or acts of terrorism or war, which result in malfunction of the appliance are not covered under the terms of this Limited Lifetime Warranty.

FPI has no obligation to enhance or modify any unit once manufactured (i.e. as products evolve, field modifications or upgrades will not be performed on existing appliances).

This warranty does not cover dealer travel costs for diagnostic or service work. All labor rates paid to authorized dealers are subsidized, pre-determined rates. Dealers may charge homeowner for travel and additional time beyond their subsidy.

Any unit showing signs of neglect or misuse will not be covered under the terms of this warranty policy and may void this warranty. This includes units with rusted or corroded fireboxes which have not been reported as rusted or corroded within three (3) months of installation/purchase.

Units which show evidence of being operated while damaged, or with problems known to the purchaser and causing further damages will void this warranty.

Units where the serial no. has been altered, deleted, removed or made illegible will void this warranty.

Minor movement, expansion and contraction of the steel is normal and is not covered under the terms of this warranty.

FPI is not liable for the removal or replacement of facings or finishing in order to repair or replace any appliance in the field.

Freight damages for products or parts are not covered under the terms of the warranty.

Products made or provided by other manufacturers and used in conjunction with the FPI appliance without prior authorization from FPI may void this warranty.

warranty

Limitations of Liability:

The original purchaser's exclusive remedy under this warranty, and FPI's sole obligation under this warranty, express or implied, in contract or in tort, shall be limited to replacement, repair, or refund, as outlined above. IN NO EVENT WILL FPI BE LIABLE UNDER THIS WARRANTY FOR ANY INCIDENTAL OR CONSEQUENTIAL COMMERCIAL DAMAGES OR DAMAGES TO PROPERTY. TO THE EXTENT PERMITTED BY APPLICABLE LAW, FPI MAKES NO EXPRESS WARRANTIES OTHER THAN THE WARRANTY SPECIFIED HEREIN. THE DURATION OF ANY IMPLIED WARRANTY IS LIMITED TO DURATION OF THE EXPRESSED WARRANTY SPECIFIED ABOVE. IF IMPLIED WARRANTIES CANNOT BE DISCLAIMED, THEN SUCH WARRANTIES ARE LIMITED IN DURATION TO THE DURATION OF THIS WARRANTY.

Some U.S. states do not allow limitations on how long an implied warranty lasts, or allow exclusion or limitation of incidental or consequential damages, so the above limitations or exclusions may not apply to you.

Customers located outside the U.S. should consult their local, provincial or national legal codes for additional terms which may be applicable to this warranty.

How to Obtain Warranty Service:

Customers should contact the authorized selling dealer to obtain warranty service. In the event the authorized selling dealer is unable to provide warranty service, please contact FPI by mail at the address listed below. Please include a brief description of the problem and your address, email and telephone contact information. A representative will contact you to make arrangements for an inspection and/or warranty service.

Canadian Warrantor:

FPI Fireplace Products International Ltd.
6988 Venture St.
Delta, British Columbia
Canada, V4G 1H4

U.S. Warrantor:

Fireplace Products U.S., Inc.
PO Box 2189 PMB 125
Blaine, WA
United States, 98231

Or contact the Regency Customer Care Centre at 1-800-442-7432 (phone) / 604-946-4349 (fax)

Product Registration and Customer Support:

Thank you for choosing a Regency Fireplace. Regency strives to be a world leader in the design, manufacture, and marketing of hearth products. To provide the best support for your product, we request that you complete a product registration form at <http://www.regency-fire.com/Customer-Care/Warranty-Registration.aspx> within ninety (90) days of purchase.



Product Registration and Customer Support:

Thank you for choosing a Regency Fireplace. Regency strives to be a world leader in the design, manufacture, and marketing of hearth products. To provide the best support for your product, we request that you complete a product registration form found on our Web Site under Customer Care within ninety (90) days of purchase.

For purchases made in **CANADA or the UNITED STATES:**

<http://www.regency-fire.com/Customer-Care/Warranty-Registration.aspx>

For purchases made in **AUSTRALIA:**

<http://www.regency-fire.com.au/Customer-Care/Warranty-Registration.aspx>

You may also complete the warranty registration form below to register your Regency Fireplace Product and mail and/or fax it back to us, and we will register the warranty for you. It is important you provide us with all the information below in order for us to serve you better.

Warranty Registration Form (or Register online immediately at the above Web Site):

Warranty Details	
Serial Number (required):	
Purchase Date (required) (mm/dd/yyyy):	
Product Details	
Product Model (required):	
Dealer Details	
Dealer Name (required):	
Dealer Address:	
Dealer Phone #:	
Installer:	
Date Installed (mm/dd/yyyy):	
Your Contact Details (required)	
Name:	
Address:	
Phone:	
Email:	

For purchases made in **CANADA:**

**FPI Fireplace Products
International Ltd.**

6988 Venture St.
Delta, British Columbia
Canada, V4G 1H4

Phone: 604-946-5155
Fax: 1-866-393-2806

For purchases made in the **UNITED STATES:**

Fireplace Products US, Inc.

PO Box 2189 PMB 125
Blaine, WA
United States, 98231

Phone: 604-946-5155
Fax: 1-866-393-2806

For purchases made in **AUSTRALIA:**

Fireplace Products Australia Pty Ltd

99 Colemans Road
Dandenong South, Vic. 3175
Australia

Phone: +61 3 9799 7277
Fax: +61 3 9799 7822

For fireplace care and tips and answers to most common questions please visit our Customer Care section on our Web Site. Please feel free to contact your selling dealer if you have any questions about your Regency product.

warranty

Installer: Please complete the following information

Dealer Name & Address: _____

Installer: _____

Phone #: _____

Date Installed: _____

Serial #: _____



U38-39 Video