

# CONTURA™ RC500E

*3-Sided Gas Stove*





*RC500E shown with volcanic stones  
(unit shown without mandatory safety screen).*



*RC500E shown with 7 piece traditional log set.*

## — Introducing Regency Contura

Contura embodies calm, class and comfort. With clean, elegant lines and three generously-sized glass viewing windows, the RC500E unites Regency engineering and the finest elements of Contura's modern Scandinavian design.

The Regency Contura RC500E exhibits 40 years of design excellence and sets a new standard for contemporary gas stoves. Thoughtfully designed, the RC500E is easy to operate and its compact size can even accommodate top or rear venting, making it simple to install.

Finally, form follows function without sacrificing style. Offering Regency comfort and Scandinavian design, the RC500E is the perfect choice for keeping simple, open spaces warm, and your décor impeccable.

# Contura™ RC500E 3-SIDED GAS STOVE

With clean lines, three-sided viewing and a large door, the RC500E gives a light and modern impression to any home. There is no bad spot to site while warming up in front of this unit. Available in black or white, you can customize this modern gas stove with a traditional log set or volcanic stones on a bed of shimmering crystals. The curved design invites you to enjoy a stunning flame view from three sides. The peek-a-boo side windows offer a glimpse inside to warm your home and your heart.

## STANDARD FEATURES

- View the stunning flame from three sides
- Interior lights for added ambiance when the fire is off
- Variable speed blower
- Natural gas or propane
- Safety screen
- Electronic ignition
- Modulating flame adjustment
- Battery back up system keeps the heat on in the event of a power outage
- ProFlame II remote control
- Direct vent
- Reversible flue for top or rear venting

## OPTIONS

- Available in black cast or white with glass door & top
- Your choice of crystals, volcanic stones or traditional logs
- Propane conversion kit



RC500E shown with safety screen

DIMENSIONS	
HEIGHT	42"
WIDTH	19-5/16"
DEPTH	17-1/4"
VENT SIZE	4" x 6-5/8"

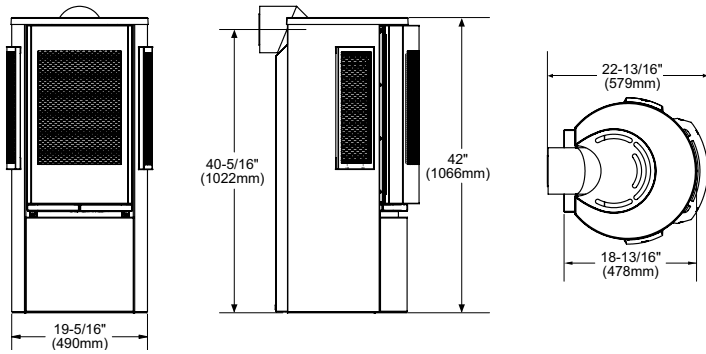
SPECIFICATIONS	NATURAL GAS	PROPANE
MAXIMUM BTU	23,000	22,000
TURN DOWN TO (BTU)	16,000	18,000
EFFICIENCY (STEADY STATE)	67.13%	66.85%
ENERGUIDE RATING (CANADA ONLY)	60.38%	61.42%



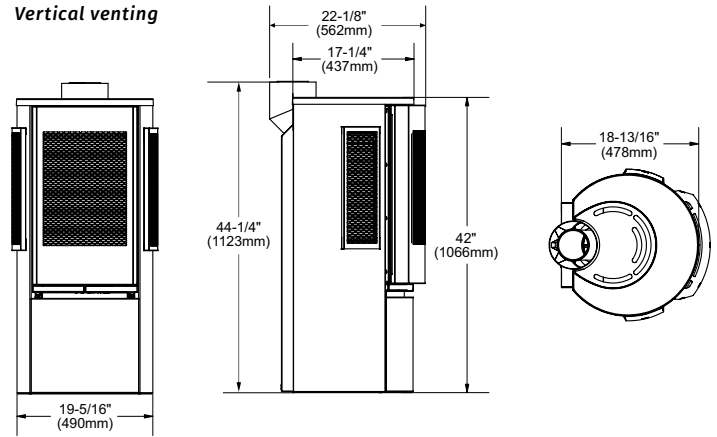
RC500E shown with black cast door and crystals (unit shown without mandatory safety screen).

## DIMENSIONS

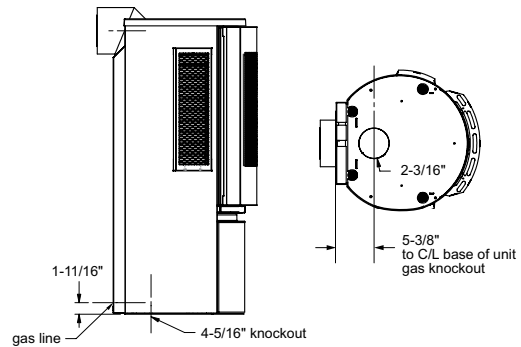
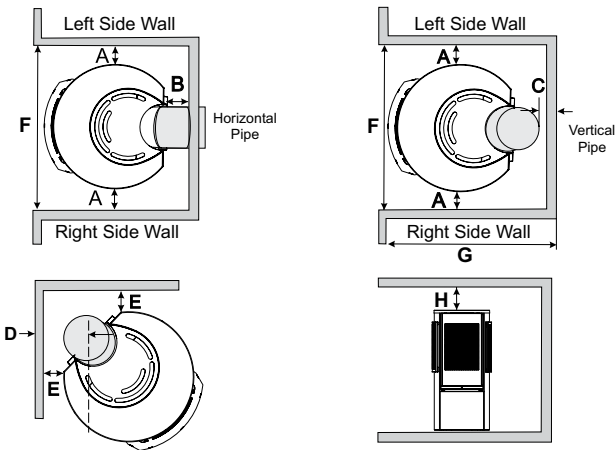
### Horizontal venting



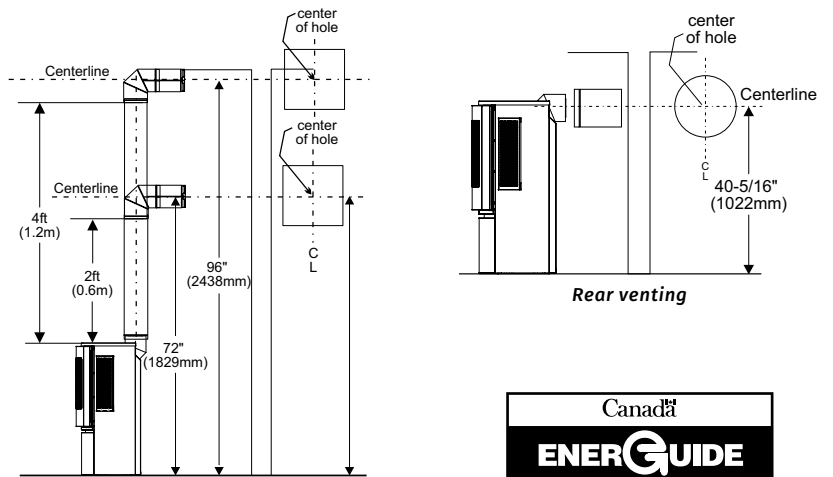
### Vertical venting



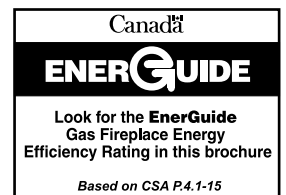
## CLEARANCES



## VENTING CONFIGURATIONS



When using Regency  
2ft or 4ft vent kit



### CLEARANCES

A	Left/Right Side Wall to Unit	9"
B	Back Wall to Unit	2"
C	Vertical Vent Pipe to Back Wall	2"
D	Wall to Centerline of Pipe	8-3/4"
E	Unit Corner to Wall (Top Vent)	4"
	Unit Corner to Wall (Rear Vent)	5-3/4"
F	Alcove Width	50"
G	Alcove Depth	36"
H	Minimum Ceiling from Top of Unit	15"

NOTE: For full installation details, please check the manual and your local codes and regulations.

Disclaimer: Please refer to the manual for the latest up to date installation details.

©2018 FPI Fireplace Products International Ltd. Regency® is the registered trademark of FPI Fireplace Products International Ltd. Contura™ is the proprietary trademark of NIBE Industrier AB. All rights reserved. Printed in Canada (10/18) Part no. 944-432

**REGENCY®**  
FIREPLACE PRODUCTS  
WWW.REGENCY-FIRE.COM