

SC20.2 MINIMUM CLEARANCES

RESIDENTIAL INSTALLATION	A	B	C	D	E	F	J
Roof exit; parallel and corner minimum clearances	12.75" 324 mm	6.5" 166 mm	25.25" * 642 mm	15.875" * 404 mm	6" 153 mm	18.5" * 470 mm	37" 940 mm
Wall exit; parallel and corner minimum clearances	12.75" 324 mm	6.5" 166 mm	25.25" * 642 mm	15.875" * 404 mm	6" 153 mm	18.5" * 470 mm	37" 940 mm
MOBILE HOME INSTALLATION							
Roof exit only; parallel and corner minimum clearances *Fan Kit or Rear Shield Kit & Outside Air Kit required	12.75" 324 mm	6.5" 166 mm	25.25" * 642 mm	15.875" * 404 mm	6" 153 mm	18.5" * 470 mm	37" 940 mm

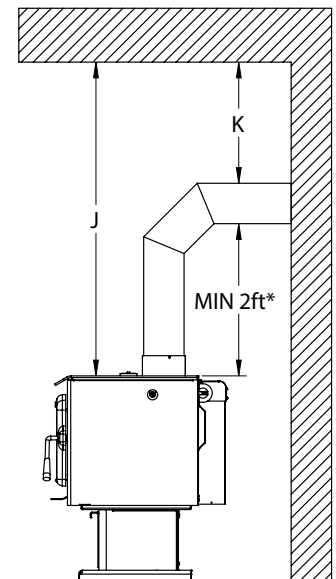
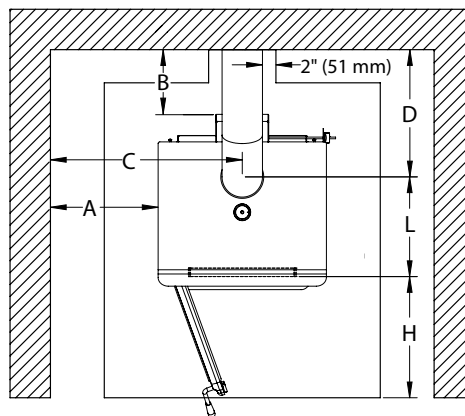
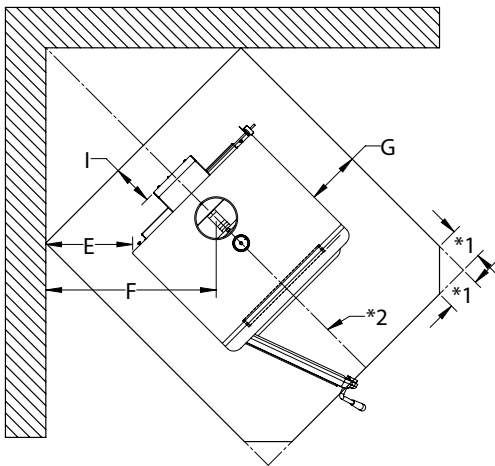
This appliance must be installed in compliance with all local codes and regulations.

Refer to local codes and pipe manufacturer specs for required minimum clearances.

Flue pipe must be 6" diameter and 24 MSG steel construction. Do not use aluminum or galvanized steel.

In Canada, a minimum 18" (457 mm) clearance from single wall pipe is required.

Minimum clearances may only be reduced by means approved by the regulatory authority.



*3ft recommended

*1 = 5" (127 mm) in Canada and 2 1/8" (54 mm) in USA
 *2 = 59" (1499 mm) in Canada and 57" (1448 mm) in USA

G = 2" (51 mm) in USA 8" (203 mm) in Canada	H = 16" (406 mm) in USA 18" (456 mm) in Canada	I = 0" (0 mm) in USA 8" (203 mm) in Canada	K = 18" (456 mm) for single wall pipe in Canada
--	---	---	---

Ember protection shield (not required to have an insulation value) is to be listed under UL 1618-2009 (type 1) and must have a minimum size of:

USA: 32" x 40 1/8" (813 mm x 1020 mm) and Canada: 41" x 50 1/8" (1042 mm x 1274 mm)

Alcove: min width = 50 1/2" (1283 mm), max depth = 48" (1219 mm), min height above stove = 37" (940 mm)

FLOOR PROTECTION

If the appliance is installed on a combustible floor, a non-combustible shield must be used underneath the appliance. In the USA, the non-combustible shield must extend 16" out from the front and 8" out from either side of the fuel-loading door. In Canada, the non-combustible shield must extend 8" out from the rear and either side of the appliance and 18" out from the front of the loading door. A non-combustible shield is also required underneath the chimney connector and extend at least 2" on either side of the chimney connector. This floor protection is required to prevent sparks from falling onto the combustible floor (see CSA B365-M87). This appliance does not require a thermal hearth pad protection. Blaze King does not recommend adhesive based vinyl flooring in front of appliances due to thermal expansion and warping which could be permanent.